

Freda T3i



Installation
3-circuit power track

Housing Colours
White RAL 9010
Grey RAL 9006
Black 9005

Construction
Die-cast powder coated aluminium housing, polycarbonate adapter, aluminium reflector, integrated PSU in track adapter.

Protection Class 2. IP20

Weight: 0.6 Kg approx..

Certification
CE, UKCA

Light source
High efficiency LED

Beam Angles
Narrow 15°, Medium 23.8°
Wide 33.3°, Extra wide 56.9°

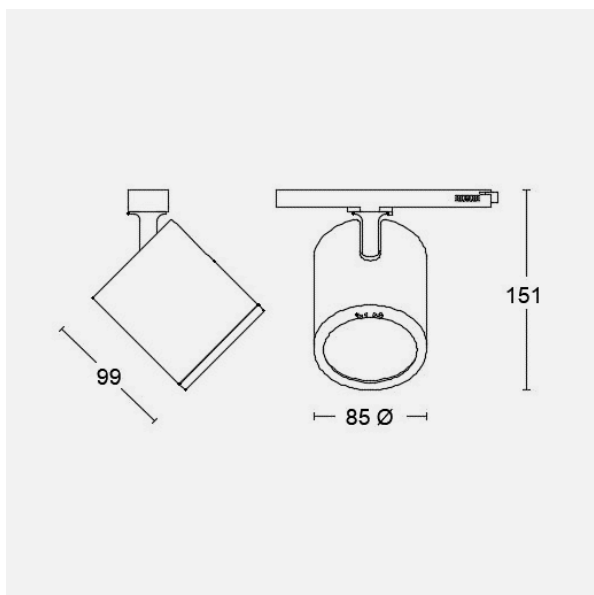
Luminous Efficacy
Up to 176 lm/W
L80/B10 50,000 hrs

Light quality
2700K, 3000K, 3500K, 4000K
CRI ≥ Ra 90 and ≥ Ra 98 to special order, 3 SDCM.

Light output categories
2000, 3000, 4000 lumens

Lighting control
Phase, 1-10V, DALI, Switched, CASAMBI

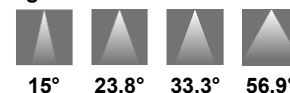
Dimensions (mm)



Accessories

Reflectors

Light distribution



Light output details

Luminaire Output						
CRI/CCT	300mA		550mA		800mA	
	Total Watts	11.8	Total Watts	21.4	Total Watts	31
	Lm	Lm/W	Lm	Lm/W	Lm	Lm/W
927	1995	169	2991	140	3957	128
930	2036	173	3052	143	4038	130
935	2056	174	3083	145	4078	132
940	2077	176	3113	146	4119	133
Lumen Class	2000		3000		4000	

Description

Cylindrical track spotlight; die-cast aluminium with powder coated surface available in three colours as standard, white, black and grey silver; adjustable light head, 355° rotation, 90° tilt; integrated PSU within 3-circuit track adaptor; toolless installation and repositioning within 3-phase power track; four beam angle options with interchangeable, high quality, vapour deposition coated aluminium faceted 95% efficient reflectors with four beam angle options, narrow, medium, wide and extra wide; three light output class options, 2000, 3000, and 4000 lumens; CRI > Ra 90 as standard and 98 Ra on special order basis; passive cooled LED via internal thermal management architecture; three dimming options, Phase, 1-10V, DALI, Casambi and Non-Dim as standard. DIM2warm versions also available. Construction from easily separable materials facilitate easy life-extending upgrades and recycling.

Freda T3i

Product part number nomenclature and example:

Product part number	Product description
FRST3IB3F2000N930W	Freda 3-circuit track spotlight, 2000 lumens, Narrow beam, CRI >90, 3000K, White body, Non-Dim

Options:

FR	S	T3I	B3F	2000	N	9	30	W	
↓	↓	↓	↓	↓	↓	↓	↓	↓	↓
Product Series	Model	Mounting type	LED Module	Lumen Category (Lumens)	Beam angle	CRI (Ra)	CCT (Kelvin)	Body colour *	Lighting control
FR = Freda series	S = Spotlight	T3I = 3-circuit track integral PSU	B3F	2000	N = Narrow	9 ≥ 90	27 = 2700K	W = White RAL9010	D1 = Phase
				3000	M = Medium		30 = 3000K	G = Grey RAL9006	D2 = 1-10V
				4000	W = Wide	35 = 3500K	B = Black RAL9005	D3 = DALI	
					XW = Extra Wide	40 = 4000K		Blank = Non-Dim	

* Custom colours and finishes available on special order basis