

# Eclipse 55 T3i



**Installation**  
3-circuit power track

**Housing Colours**  
White RAL 9010  
Grey RAL 9006  
Black 9005

**Cowl Colours**  
Black (standard)

**Construction**  
Die-cast powder coated aluminium housing, polycarbonate adaptor, PMMA lens. Track adaptor integrated PSU

Protection Class 2. IP20

**Certification**  
CE, UKCA

Weight: 0.3 Kg

**Light source**  
High efficiency LED

**Beam Angles**  
Narrow, Medium, Wide

**Luminous Efficacy**  
Max 105 lm/W  
L80/B10 50000 h

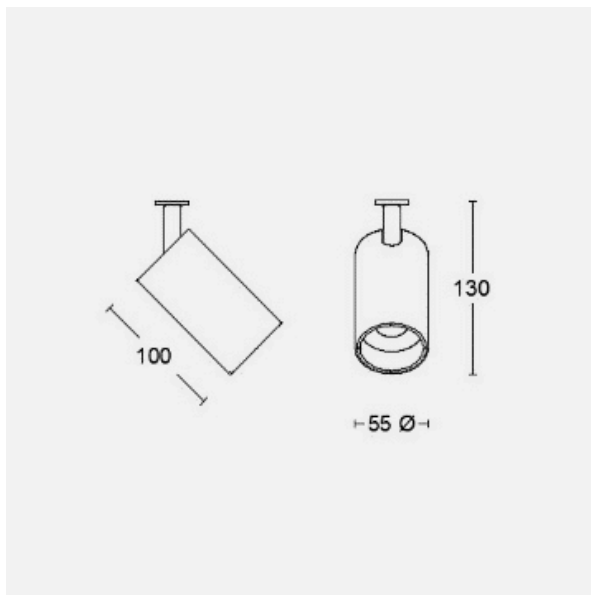
**Light quality**  
2700K, 3000K, 3500K, 4000K, Dim2Warm on request.

CRI ≥ 90 / 3 SDCM.

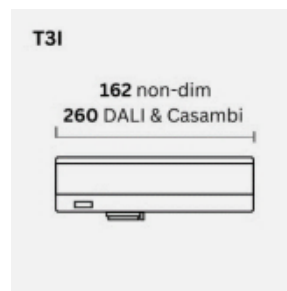
**Light output categories**  
800, 1200, 1500 lumens

**Lighting control**  
DALI, Casambi, 1-10V, Phase DIM and switched

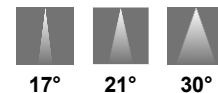
## Dimensions (mm)



## Track adaptor



## Light distribution



## Light output details

CRI/CCT	200mA		300mA		400mA	
	Total Watts	8.4	Total Watts	12	Total Watts	16.2
	Lm	Lm/W	Lm	Lm/W	Lm	Lm/W
927	843	100	1158	97	1508	93
930	861	102	1182	99	1539	95
935	869	103	1194	100	1554	96
940	878	105	1206	101	1570	97
Lumen Category	800		1200		1500	

## Description

Contemporary and versatile cylindrical track spotlight constructed from die-cast aluminium with epoxy powder coated surface available in three colours as standard, white, black and grey silver; adjustable light head, 355° rotation, 90° tilt; integrated PSU either in luminaire or track adaptor; toolless installation and repositioning within 3-phase power track; three beam angle options with precision lens optics, narrow, medium and wide beam; three light output class options, 800, 1200 and 1500 lumens; passive cooled LED via internal thermal management architecture; optical accessory attachments available for mechanical lighting control. Light intensity control options include: Phase, 1-10V, DALI, Casambi and switched. Construction from easily separable materials to facilitate convenient life-extending upgrades and end of life recycling.

# Eclipse 55 T3i

Order code with example:

Product part number	Product description
EC55ST3IB0F1200N930WD3	Eclipse 55 spotlight, 3-Circuit track integrated PSU, 1200 lumens, Narrow beam, CRI >90, 3000K, White finish, DALI Dim

Options:

EC	55	S	3TI	B0F	1200	N	9	30	W	D3
↓	↓	↓	↓	↓	↓	↓	↓	↓	↓	↓
Product Series	Model	Function	Mounting Type	LED Module	Lumen Category (Lumens)	Beam angle	CRI (Ra)	CCT (Kelvin)	Body colour *	Dimming control *
EC Eclipse	55	S Spotlight	T3I 3-circuit Track adapter	B0F	800	N Narrow	9 CRI ≥ 90	27 2700K	W White RAL9010	D1 Phase
					1200	M Medium		30 3000K	G Grey RAL9006	D2 1-10V
					1500	W Wide		35 3500K	B Black RAL9005	D3 DALI
								40 4000K		D4 Casambi
										Blank Non-Dim

\* Custom colours and finishes on special order basis

## Optical accessories (ordered separately)

Part number	Description
AC55HC	Honeycomb Louvre 55
AC55EL	Elongation Lens 55
AC55SL	Spreader Lens 55
AC55FL	Frosted Lens 55
AC55FB	Bakery Filter 55
AC55FM	Meat Filter 55
AC55FF	Fish Filter 55

Barn doors, Snoots and Cross Blade accessory attachment on request.

Optical accessories are supplied pre-assembled within a black plastic carrier as standard.