

Eclipse 75 Zoom



Mounting options

3-circuit power track
DM8 = Ceiling cup 80mm Ø
Drop-rod options
(on request)

Housing Colours

White RAL 9010
Grey RAL 9006
Black 9005

Cowl Colours

Black

Construction

Die-cast powder coated aluminium housing, polycarbonate adapter
Integrated PSU

Light source

High efficiency LED

Beam Angles

Variable

Luminous Efficacy

max up to 82 lm/W
L80 / 50000 h

Light quality

2700K, 3000K, 3500K,
4000K
CRI ≥ 90 / 3 SDCM.

Lumen categories

1400, 1800, 2300 Lumens

Lighting control

Non-Dim

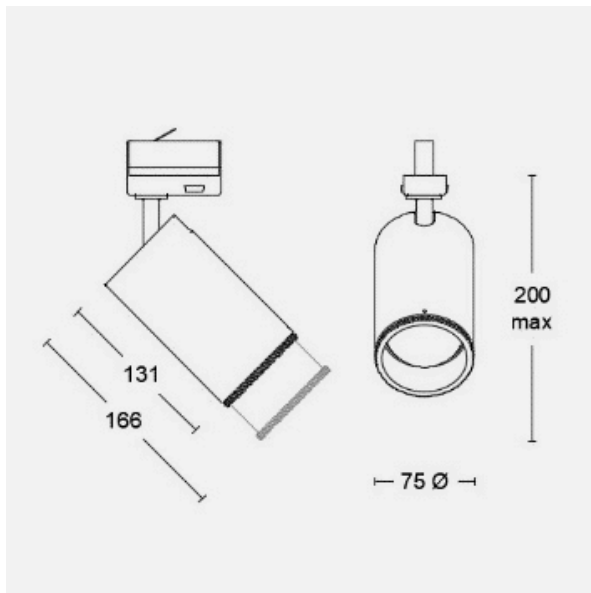
Certification

CE, UKCA

Protection Class 2, IP20

Weight: 1 Kg approx.

Dimensions (mm)



Light distribution



Variable

Light output details

CRI/CCT	Luminaire output – Lumens (Efficiency in Luminaire Lumens [Lm] Per Watts) at typical drive current (mA) DC					
	500mA		700mA		900mA	
	Total Watts: 19.3		Total Watts: 25.3		Total Watts: 34.6	
	Lm	Lm/W	Lm	Lm/W	Lm	Lm/W
827	1439	75	1891	75	2392	69
927	1187	62	1560	62	1973	57
830	1529	79	2009	79	2541	73
930	1565	81	2056	81	2601	75
835	1241	64	1631	64	2063	60
930	1574	82	2068	82	2616	76
840	1313	68	1726	68	2183	63
940	1439	75	1891	75	2392	69
Lumen Class	1400		1800		2300	

Description

Contemporary and versatile cylindrical variable zoom track spotlight constructed from die-cast aluminium with powder coated surface available in three colours as standard, white, black and grey silver; adjustable light head, 355° rotation, 90° tilt; integrated PSU within luminaire and remote for 2300 lumen version; toolless installation and repositioning within 3-phase power track; three light output class options, 1400, 1800 and 2300 lumens; maximum efficiency via passively cooled LED technology using integrated thermal management. Construction from pure and easily separable materials facilitate easy life-extending upgrades and recycling.

Eclipse 75 Zoom

Product part number nomenclature and example:

Product part number	Product description
EC75ST3IB0F1800Z927W	Eclipse 75 variable zoom spotlight, 3-circuit track, 1800 lumens, variable beam zoom, CRI >90, 2700K, white body, non-Dim

Options:

EC	75	S	T3I	B0F	1800	Z	9	27	W
↓	↓	↓	↓	↓	↓	↓	↓	↓	↓
Product Series	Model	Function	Mounting Type *	LED Module	Lumen Category (Lumens)	Beam angle	CRI (Ra)	CCT (Kelvin)	Body Colour ***
EC = Eclipse	75	S = Spotlight	T3i = 3-circuit track integrated PSU	B0F	1400	Z = Zoom Spotlight	8 = ≥80	27 = 2700K	W = White RAL9010
					1800		9 = ≥90	30 = 3000K	G = Grey RAL9006
					2300**			35 = 3500K	B = Black RAL9005
								40 = 4000K	

* Contact sales for drop rod mounted versions.

** 2300 lumen version supplied with track adaptor with integrated PSU.

*** Custom colour and finishes available upon request.