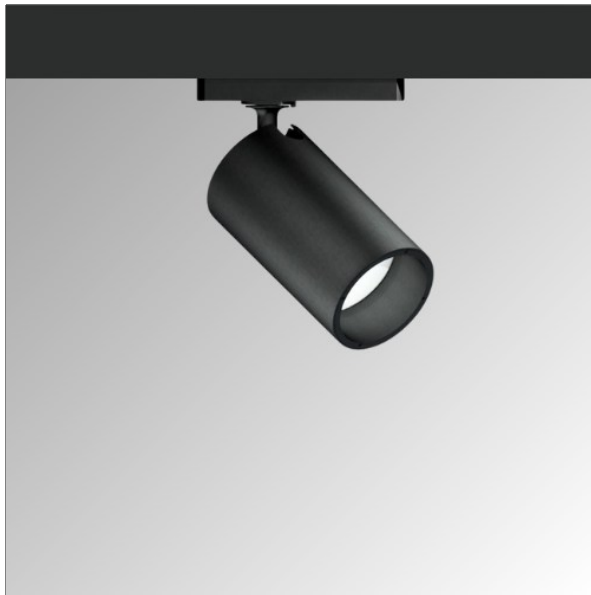


# Eclipse 75 T3i



**Installation**  
3-circuit power track

**Housing Colours**  
White RAL 9010  
Grey RAL 9006  
Black 9005

**Cowl Colours**  
Black (standard), Gold, Silver

**Construction**  
Die-cast powder coated aluminium housing, polycarbonate adapter PMMA lens, track integrated PSU

Protection Class 2. IP20

**Certification**  
CE, UKCA

Weight: 1 Kg approx.

**Light source**  
High efficiency LED

**Beam Angles**  
Narrow, Medium, Wide

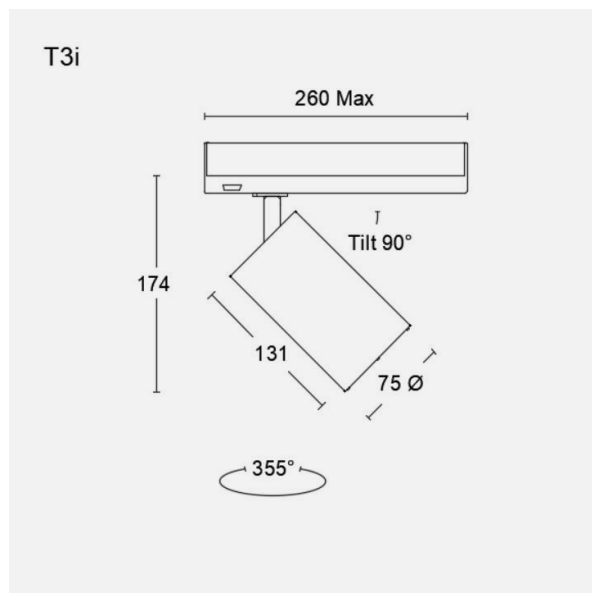
**Luminous Efficacy**  
max 123 lm/W  
L80/B10 50000 hrs

**Light quality**  
2700K, 3000K  
3500K, 4000K  
CRI ≥ 90 / 3 SDCM.  
2 SDCM and special light quality designs (on request)

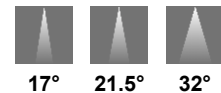
**Lumen categories**  
2000, 3000, 4000 lumens

**Lighting control**  
DALI, Casambi, Phase

## Dimensions (mm)



## Light distribution



## Description

Contemporary and versatile cylindrical track spotlight constructed from die-cast aluminium with powder coated surface available in three colours as standard, white, black and grey silver; adjustable light head, 355° rotation, 90° tilt; PSU integrated in 3-circuit track adaptor; toolless installation and repositioning within power track; three beam angle options with integrated precision lens optics, narrow, medium and wide; three light output class options, 2000, 3000 and 4000 lumens; passive cooled LED via internal thermal management architecture; optical accessory attachments available for mechanical lighting control. Light intensity control options include; Phase, DALI, CASAMBI and switched. Dim2warm version also available. Construction from easily separable materials facilitate easy life-extending upgrades and recycling.

## Light output details T3i (track integrated PSU)

Luminaire Output						
CRI/CCT	450mA		700mA		1050mA	
	Total Watts	17.0	Total Watts	27.1	Total Watts	40.7
	Lm	Lm/W	Lm	Lm/W	Lm	Lm/W
927	2009	118	2906	107	3893	96
930	2050	121	2965	109	3972	98
935	2070	122	2994	110	4011	99
940	2091	123	3024	112	4051	100
Lumen Class	2000		3000		4000	

# Eclipse 75 T3i

## Product part number nomenclature and example:

Product part number	Product description
EC75ST3IB3F2000N930GW	Eclipse 75 spotlight, 3-circuit PSU integrated track adaptor, 2000 lumens, Narrow beam, CRI >90, 3000K, Gold cowl, White body, Non-Dim

## Options:

EC	75	S	T3I	B3F	2000	N	9	30	G	W	
↓	↓	↓	↓	↓	↓	↓	↓	↓	↓	↓	↓
Product Series	Model	Function	Mounting type	LED Module	Lumen Category (Lumens)	Beam angle	CRI (Ra)	CCT (Kelvin)	Cowl colour	Body colour *	Lighting control **
EC = Eclipse	75	S = Spotlight	T3I = 3-circuit Track adapter integral PSU	B3F	2000	N = Narrow	9 ≥ 90	27 = 2700K	G = Gold	W = White RAL9010	D1 = Phase
					3000	M = Medium		30 = 3000K	S = Silver	G = Grey RAL9006	D3 = DALI
					4000	W = Wide		35 = 3500K	Blank = Black	B = Black RAL9005	D4 = Casambi
								40 = 4000K			Blank = Non-Dim Switched

\* Custom colours and finishes available on special order basis

## Accessory attachments (ordered separately)

Part number	Description
AC75HC	Honeycomb Louvre 75
AC75EL	Elongation Lens 75
AC75SL	Spreader Lens 75
AC75FL	Frosted Lens 75
AC75FB	Bakery Filter 75
AC75FM	Meat Filter 75
AC75FF	Fish Filter 75

Barn doors, Snoots and Cross Blade accessory attachment on request.

Optical accessories are supplied pre-assembled within a black plastic carrier as standard.