

CAN

**Installation**

3-circuit power track

Housing ColoursWhite RAL 9010
Grey RAL 9006
Black 9005**Cowl Colours**

Black (standard), Chrome

ConstructionDie-cast powder coated
aluminium housing, enclosure,
polycarbonate adapter, PMMA
lens, integrated PSU**Light source**

High efficiency LED

Beam Angles

Med 21.6°, Flood 39.3°

Luminous EfficacyUp to 99 lm/W
L80 / 50000 h**Light quality**2700K, 3000K, 3500K, 4000K
CRI ≥ 90 / 3 SDCM.**Lumen categories**

1500, 2000, 2500, 3000 lumens

Lighting control

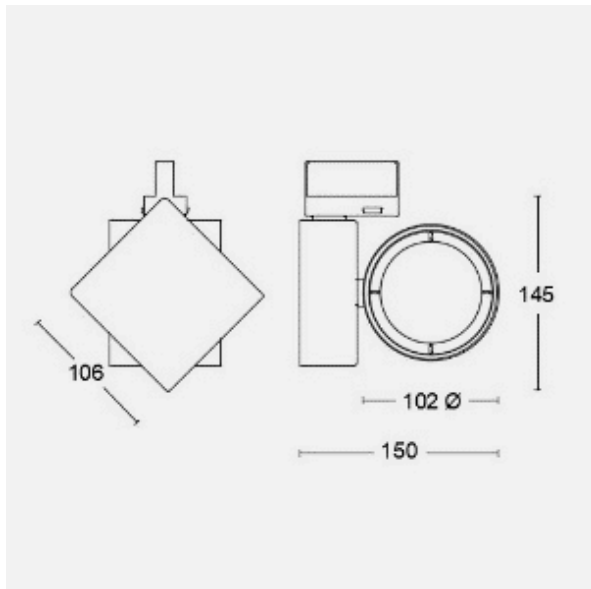
DALI, 1-10V, Phase

Protection Class 2. IP20

Weight: 1 Kg approx..

Certification

CE, UKCA

Dimensions (mm)**Mounting options**3-circuit track
1-circuit track
Surface cup 80mmØ**Light distribution**

21.6° 39.3°

Accessory attachments

Honeycomb louvre

Light output details

CRI CCT	Luminaire Output-							
	400mA		550mA		700mA		900mA	
	Total watts	15.6	Total watts	21.3	Total watts	27.8	Total watts	36.0
	Lm	Lm/W	Lm	Lm/W	Lm	Lm/W	Lm	Lm/W
927	1544	(99)	2030	(95)	2514	(90)	3031	(84)
930	1575	(101)	2071	(97)	2565	(92)	3093	(86)
935	1591	(102)	2092	(98)	2591	(93)	3124	(87)
940	1607	(103)	2112	(99)	2616	(94)	3155	(88)
Lumen Class	1500		2000		2500		3000	

Description

Modern and versatile track spotlight constructed from die-cast aluminium with powder coated surface available in three colours as standard; white, black and grey; adjustable light head, 359° rotation, 90° tilt; integrated PSU within dedicated thermally isolated housing; toolless installation and repositioning within 3-phase power track; two beam angle options available via integrated precision lens optics; medium and wide; four light output class options, 1500, 2000, 2500, and 3000 lumens; CRI >90 as standard and 98 Ra on special order basis; passive cooled LED via internal thermal management architecture; honeycomb louvre eye comfort accessory available; Light intensity control options include; Phase, 1-10V, DALI and Switched. Dim2warm version also available on request. Construction from easily separable materials facilitate easy life-extending upgrades and recycling.

CAN

Part number nomenclature and example:

Product part number	Product description
CANLT3B3F2000M930WBBD1	CAN 3-circuit track, 2000 lumens, Medium beam, CRI >90, 3000K, White body, Black inner cowl, Phase dimming

Options:

CANL	T3	B3F	2000	M	9	30	W	BB	D1
↓	↓	↓	↓	↓	↓	↓	↓	↓	↓
Product Series	Mounting type	LED Model	Lumen Category (Lumens)	Beam angle	CRI (Ra)	CCT (Kelvin)	Body colour	Inner cowl colour *	Lighting control
CANL	SM = Surface mount 80mm Ø cup	B3F	1500	M = Medium	9 = ≥90	27 = 2700K	W = White RAL9010	BB = Black (default)	D1 = Phase **
	T3 = 3-circuit track		2000	W = Wide		30 = 3000K	G = Grey RAL9006	CB = Chrome	D2 = 1-10V ***
	T1 = 3-circuit track		2500			35 = 3500K	B = Black RAL9005		D3 = DALI ***
			3000			40 = 4000K			0 = Non-Dim

* Black inner cowl supplied as standard.

** Phase dimming available up to 2500 lumens.

*** Gear housing is larger size for 1-10V and DALI dimming.