

Giro



Mounting options
Ceiling cup 80mm Ø
3-circuit track adaptor

Housing Colours
White RAL 9010, Grey
RAL 9006, Black 9005

Construction
Die-cast powder coated
aluminium housing, vapour
deposition coated
aluminium reflector.
Remote PSU

Protection Class 2, IP20

Certification
CE, UKCA

Power Factor min 0.96

Weight: 0.6 Kg approx.

Light source
High efficiency LED

Beam Angles
Interchangeable reflectors
Narrow 15.6°, Medium 27.2°
Wide 38.3°, Extra Wide 59.8°

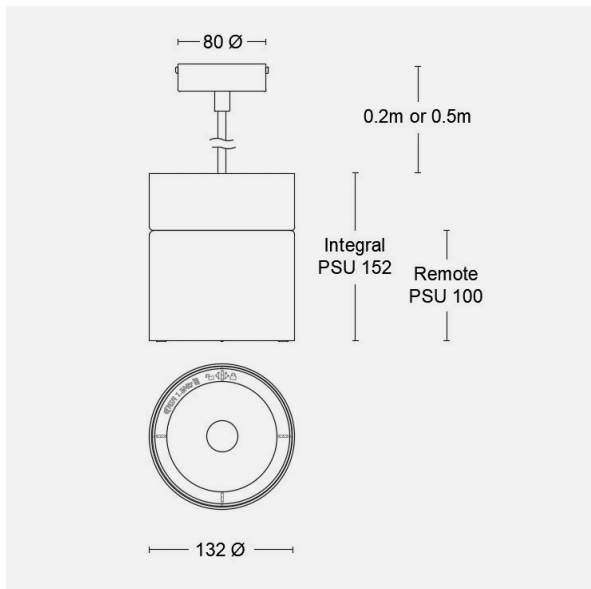
Luminous Efficacy
Up to 131 lm/W
L80/B10 50,000 hours

Light quality
2700K, 3000K, 3500K, 4000K
CRI ≥ 90 and ≥ 98 to special order, 3
SDCM.

Lumen categories
2500, 3500, 4500 lumens

Lighting control
DALI, 1-10V, Phase, Switched

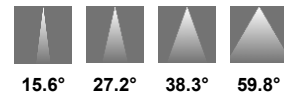
Dimensions (ceiling cup 80mm Ø)



Accessories

Interchangeable reflectors
Sparkle ring white
Protective front glass

Light distribution



Light output details

Luminaire Output -						
CRI/CCT	500mA		750mA		1050mA	
	Total Watts	19.3	Total Watts	29.8	Total Watts	42.2
	Lm	Lm/W	Lm	Lm/W	Lm	Lm/W
927	2425	126	3461	116	4435	105
930	2474	128	3532	119	4525	107
935	2499	129	3567	120	4570	108
940	2523	131	3603	121	4616	109
Lumen Class	2500		3500		4500	

Description

Suspended down light; steel epoxy powder coated housing available in three colours as standard, white, black and grey; integrated PSU with remotely mounted PSU option available; four beam angle options with interchangeable, vapour deposition coated aluminium faceted reflectors, narrow, medium, wide and wide beam; three light output class options, 2500, 3500 and 4500 lumens; CRI >90 Ra as standard and 98 Ra on special order basis; passive cooled LED module via internal thermal management architecture; lighting control DALI, 1-10V, Phase and switched. Construction from easily separable materials facilitate easy life-extending upgrades and recycling.

Giro

Product part number nomenclature and example:

Product part number	Product description
GIRSM805B3F2500M930WD3	Giro pendant down light, 80mm diameter ceiling cup, 0.5m drop rod, 2500 lumens, Medium beam, CRI >90, CCT 3000K, White finish, DALI Dimmable

Options:

GIR	SM8	05	B3F	2500	M	9	30	W	D3
↓	↓		↓	↓	↓	↓	↓	↓	↓
Product Series	Model	Drop length	LED Module	Lumen Category (Lumens)	Beam angle	CRI (Ra)	CCT (Kelvin)	Body colour *	Lighting control
GIR = Giro pendant	SM8 = Ceiling cup 80mm Ø	02 = 200mm	B3F	2500	N = Narrow	9 ≥ 90	27 = 2700K	W = White RAL9010	D1 = Phase **
	T31 = 3-circuit track	05 = 500mm		3500	M = Medium		30 = 3000K	G = Grey RAL9006	D2 = 1-10V
				4500	W = Wide		35 = 3500K	B = Black RAL9005	D3 = DALI
					XW = Extra Wide		40 = 4000K		Blank = Non-Dimmable

* Custom colour and finishes available upon request.

** Phase dimming option applicable for 2500 lumen version only.

Optical accessories:

Part number	Description
5080-15	Reflector for Giro-COB:108 15 degree, 1090AL
5080-28	Reflector for Giro-COB:108 28 degree, 1090AL
5080-40	Reflector for Giro-COB:108 40 degree, 1090AL
5080-60	Reflector for Giro-COB:108 60 degree, 1090AL
1295W	Sparkle ring for Giro 1295, White