

Direct L



Installation
Recessed

Housing Colours
White RAL 9010, Grey RAL 9006, Black 9005

Construction
Die-cast powder coated aluminium housing
PMMA lens. Remote PSU

Protection Class 2, IP20

Adjustment
Rotation: 355°, Tilt: 80°

Weight: Up to 1.0 Kg

Cut Out
130mm +/- 2mm

Certification
CE, UKCA

Light source
High efficiency LED

Beam Angles
Narrow 22°, Medium 28°
Wide 38°, Extra Wide 53°

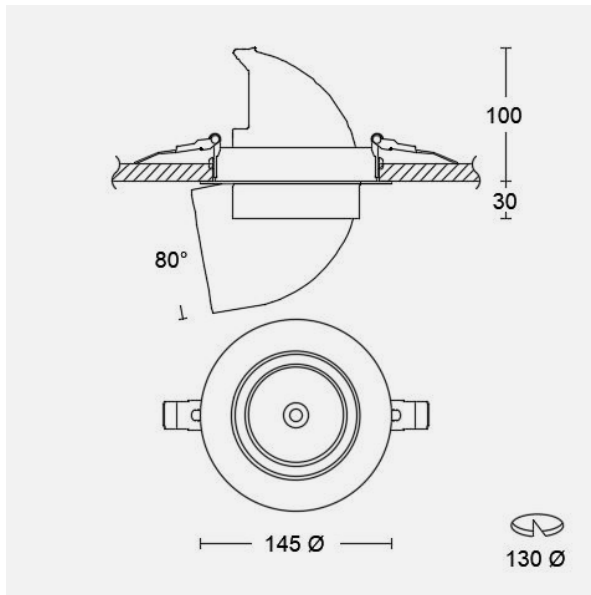
Luminous Efficacy
Up to 123 lm/W
L80/B10 @ 50,000 hrs

Light quality
2700K, 3000K, 3500K, 4000K
CRI ≥90 Ra
3 SDCM

Lumen categories
2000, 3000, 4000 Lumens

Lighting control
Phase, 1-10V, DALI and switched

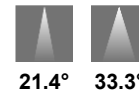
Dimensions (mm)



Accessories

Honeycomb louvre
Elongation lens
Filters

Light distribution



Light output details

Luminaire Output						
CRI/CCT	450mA		700mA		1050mA	
	Total Watts	17.0	Total Watts	27.1	Total Watts	40.7
	Lm	Lm/W	Lm	Lm/W	Lm	Lm/W
927	2009	118	2906	107	3893	96
930	2050	121	2965	109	3972	98
935	2070	122	2994	110	4011	99
940	2091	123	3024	112	4051	100
Lumen Class	2000		3000		4000	

Description

Versatile recessed adjustable spotlight constructed from die-cast aluminium with powder coated surface available in three colours as standard, white, black and grey; adjustable through 355° rotation, 80° tilt; remote mounted PSU; four beam angles options, narrow, medium, wide and extra wide via precise PMMA lens technology; three light output class options, 2000, 3000, and 4000 lumens; passive cooled LED via internal thermal management architecture; light intensity control options include, DALI, 1-10V, Phase and switched; construction from pure and easily separable materials facilitate easy life-extending upgrades and recycling.

Direct L

Product part number nomenclature and example:

Product part number	Product description
DIRLB3F2000M930WD3	Direct L, recessed adjustable spotlight, 2000 lumens, Medium beam precision lens optic, CRI >90 Ra, 3000K, White finish, DALI

Options:

DIR	L	B3F	2000	M	9	30	W	
↓	↓		↓	↓	↓	↓	↓	↓
Product Series	Variant	LED Module	Lumen Categories (Lumens)	Beam angle	CRI (Ra)	CCT (Kelvin)	Body colour **	Lighting control
Direct	L = Lens	B3F	2000	N = Narrow	9 ≥ 90	27 = 2700K	W = White RAL9010	D1 = Phase
			3000	M = Medium		30 = 3000K	G = Grey RAL9006	D2 = 1-10V
			4000	W = Wide		35 = 3500K	B = Black RAL9005	D3 = DALI
				XW = Extra Wide		40 = 4000K		Blank = Non-Dim

* Custom colours and finishes available on special order basis

Accessory attachments (purchased separately):

Part number	Description
AC95HC	Honeycomb Louvre 95
AC95EL	Elongation Lens 95
AC95FB	Filter lens, Bakery 95
AC95FM	Filter lens, Meat 95
AC95FF	Filter lens, Fish 95