

# Eclipse 130



**Installation**  
3-circuit power track

**Housing Colours**  
White RAL 9010  
Grey RAL 9006  
Black 9005

**Construction**  
Die-cast powder coated aluminium housing, steel stirrup, polycarbonate adapter, Aluminium reflector, integrated PSU

Protection Class 2, IP20

**Certification**  
CE, UKCA

Weight: 1.2 Kg approx.

**Light source**  
High efficiency LED

**Beam Angles**  
Spot 15.6°, Medium 27.2°  
Flood 38.3°, Wide Flood 59.8°

**Luminous Efficacy**  
Up to 131 lm/W  
L80/B10

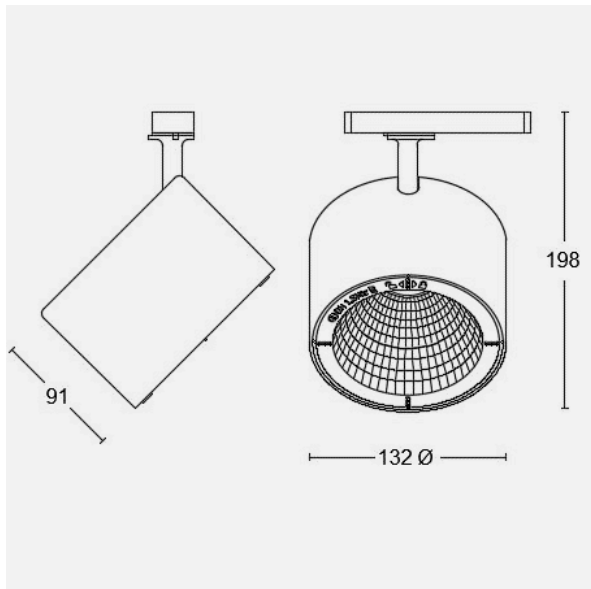
**Light quality**  
2700K, 3000K, 3500K, 4000K  
CRI >90 Ra, 3 SDCM.

**Lumen categories**  
2500, 3500, 4500 lumens

**Adjustment**  
355° rotation, 90° tilt

**Lighting control**  
DALI, Casambi, Switched

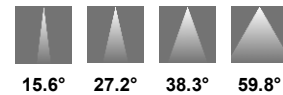
## Dimensions (mm)



## Attachment accessories

Honeycomb louvre  
Elongation lens  
Sparkle ring  
Filters

## Light distribution



## Mounting options

Ceiling cup 80mm Ø

## Light output details

Luminaire Output						
CRI/CCT	500mA		750mA		1050mA	
	Total Watts	19.3	Total Watts	29.8	Total Watts	42.2
	Lm	Lm/W	Lm	Lm/W	Lm	Lm/W
927	2425	126	3461	116	4435	105
930	2474	128	3532	119	4525	107
935	2499	129	3567	120	4570	108
940	2523	131	3603	121	4616	109
Lumen Class	2500		3500		4500	

## Description

Cylindrical track spotlight powder coated surface available in three colours as standard, white, black and grey; adjustable light head, 355° rotation, 90° tilt; integrated PSU; toolless installation and repositioning within 3-phase power track; four beam angle options available with interchangeable, high quality vapour deposition coated aluminium faceted reflectors, narrow, medium, wide and extra wide; three light output class options, 2500, 3500 and 4500 lumens; CRI >90 Ra as standard and 98 Ra on special order basis; passive cooled LED via internal thermal management architecture; various optical accessory attachments available for mechanical control and lighting effects; switched lighting control as standard with DALI and CASAMBI dimming options available. Construction from easily separable materials facilitate easy life-extending upgrades and recycling.

# Eclipse 130

## Product part number nomenclature and example:

Product part number	Product description
EC130ST3IB3F3500M930WD4	Eclipse 130 3-circuit track spotlight, 3500 lumens, medium beam, CRI >90, 3000K, white finish, CASAMBI dimmable

## Options:

EC	130	S	T3I	B3F	3500	M	9	30	W	D4
↓	↓	↓	↓	↓	↓	↓	↓	↓	↓	↓
Product Series	Model	Function	Mounting Type	LED Module	Light output (Lumens)	Beam angle	CRI (Ra)	CCT (Kelvin)	Body colour *	Lighting control
EC = Eclipse	130	S = Spotlight	T3I = 3-circuit track integral PSU	B3F	2500	N = Narrow	9 ≥ 90	27 = 2700K	W = White RAL9010	D3 = DALI
			T3 = 3-circuit track		3500	M = Medium		30 = 3000K	G = Grey RAL9006	D4 = CASAMBI
			SM8 = Ceiling cup 80mm Ø		4500	W = Wide		35 = 3500K	B = Black RAL9005	Blank = Non-Dim
						XW = Extra Wide		40 = 4000K		

\* Custom colour and finishes available upon request.

## Optical accessories (order separately):

Part number	Description
5080-15	Reflector for Giro-COB:108 15 degree, 1090AL
5080-28	Reflector for Giro-COB:108 28 degree, 1090AL
5080-40	Reflector for Giro-COB:108 40 degree, 1090AL
5080-60	Reflector for Giro-COB:108 60 degree, 1090AL
1295W	Sparkle ring for Giro 1295, White
AC125HC	Accessory 125mm Honeycomb louvre
AC125EL	Accessory 125mm Elongation Lens
AC125SN	Accessory 125mm Snoot
AC125FB	Accessory 125mm Filter Lens Bakery
AC125FM	Accessory 125mm Filter Lens Meat
AC125FF	Accessory 125mm Filter Lens Fish