

Giro XT



Installation
Suspended

Light source
High efficiency LED

Housing Colours
White RAL 9010, Grey
RAL 9006, Black 9005

Beam Angles
Spot 15.6°, Medium 27.2°
Flood 38.3°, Wide Flood 59.8°

Construction
Die-cast powder coated
aluminium housing,
vapour deposition
coated aluminium
reflector 95% efficient
Integrated PSU.

Luminous Efficacy
Up to 131 lm/W
L80/B10 50,000 hours

Protection Class 2, IP20

Light quality
2700K, 3000K, 3500K, 4000K
CRI >90 Ra, 3 SDCM. 2 SDCM and special
light quality designs available on request

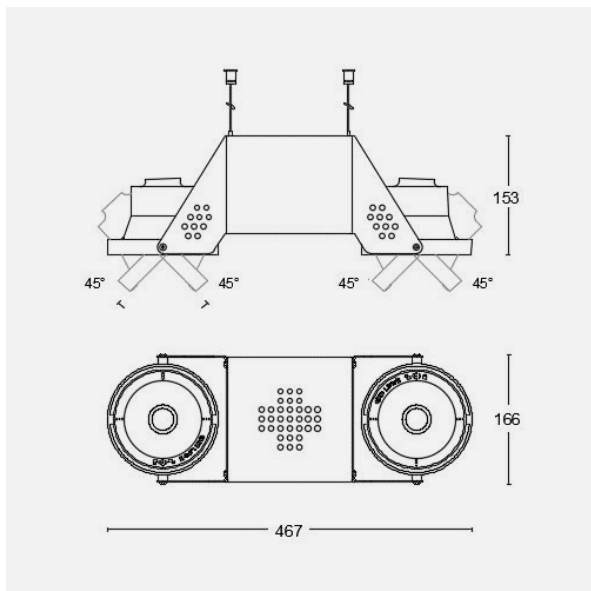
Certification
CE, UKCA

Lumen categories
2500, 3500, 4500 lumens

Lighting control
DALI, 1-10V, Phase, switched

Weight: 2.5 Kg

Dimensions (mm)



Accessories

Reflectors
Sparkle ring white

Light distribution



15.6° 27.2° 38.3° 59.8°

Light output details

Luminaire Output -						
CRI/CCT	500mA		750mA		1050mA	
	Total Watts	19.3	Total Watts	29.8	Total Watts	42.2
	Lm	Lm/W	Lm	Lm/W	Lm	Lm/W
927	2425	126	3461	116	4435	105
930	2474	128	3532	119	4525	107
935	2499	129	3567	120	4570	108
940	2523	131	3603	121	4616	109
Lumen Class	2500		3500		4500	

Description

Suspended twin adjustable spotlight light; epoxy powder coated die cast aluminium and steel housing available in three colours as standard, white, black and grey; integral PSU; four beam angle options with interchangeable, vapour deposition coated aluminium faceted reflectors, narrow, medium, wide and extra wide; three light output class options, 2500, 3500 and 4500 lumens; CRI >90 Ra as standard and 98 Ra on special order basis; passive cooled LED module via internal thermal management architecture; lighting control DALI, 1-10V, Phase and switched. Construction from easily separable materials facilitate easy life-extending upgrades and recycling.

Giro XT

Product part number nomenclature and example:

Product part number	Product description
GIRX2B3F3500M930WD3	Giro X suspended twin gimbal spotlight, 3500 lumens, Medium beam, CRI >90, 3000K, White finish, DALI-Dimmable

Options:

GIR	X	2	B3F	3500	M	9	30	W	D3
↓	↓	↓	↓	↓	↓	↓	↓	↓	↓
Product Series	Model	Quantity of lights	LED Module	Light output (Lumens)	Beam angle	CRI (Ra)	CCT (Kelvin)	Body colour *	Lighting control
GIR = Giro	X	2	B3F	2500	N = Narrow	9 ≥ 90	27 = 2700K	W = White RAL9010	D1 = Phase**
				3500	M = Medium		30 = 3000K	G = Grey RAL9006	D2 = 1-10Vi
				4500	W = Wide		35 = 3500K	B = Black RAL9005	D3 = DALI
					XW = Extra Wide		40 = 4000K		Blank = Non-Dimmable

* Custom colours and finishes available on special order basis

** Up to 700 mA

Optical accessories:

Part number	Description
5080-15	Reflector for Giro-COB:108 15 degree, 1090AL
5080-28	Reflector for Giro-COB:108 28 degree, 1090AL
5080-40	Reflector for Giro-COB:108 40 degree, 1090AL
5080-60	Reflector for Giro-COB:108 60 degree, 1090AL
1295W	Sparkle ring for Giro 1295, White