

VLUX Surface Mount Down Light R



Installation
Surface mount

Housing Colours
White RAL 9010
Grey RAL 9006
Black 9005

Construction
Die-cast powder coated aluminium housing, polycarbonate adapter integral PSU

Protection Class 2, IP20

Certification
CE, UKCA

Weight: 1 Kg approx.

Light source
High efficiency LED

Beam Angles
Medium 29°
Extra Wide 66°

Luminous Efficacy
max 142 lm/W
L80/B10 50,000 h

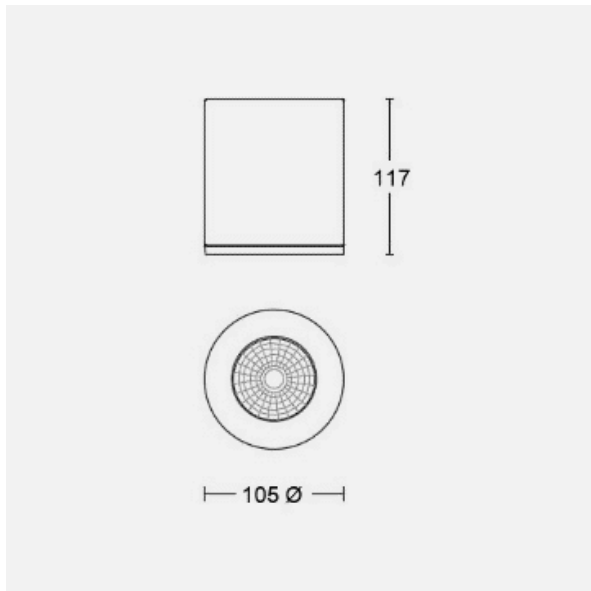
Light quality
2700K, 3000K, 3500K, 4000K

CRI ≥90 Ra / 3 SDCM

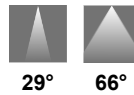
Light output categories
1000, 1500, 2000 lumens

Lighting control
Phase, switched

Dimensions



Light distribution



Light output details

Luminaire Output-						
CRI/CCT	200mA		300mA		400mA	
	Total Watts	7.7	Total Watts	11.6	Total Watts	15.2
	Lm	Lm/W	Lm	Lm/W	Lm	Lm/W
927	1053	137	1527	132	1987	131
930	1074	139	1558	134	2028	133
935	1085	141	1574	136	2048	135
940	1095	142	1589	137	2069	136
Lumen Class	1000		1500		2000	

Description

Efficient surface mounted down light constructed from epoxy powder coated steel, aluminium, and plastic; three colour options as standard, white, black and grey; powered by integrated PSU; two beam angle options, medium and extra wide beam interchangeable high performance reflectors; three light output class options, 1000, 1500 and 2000 lumens; passive cooled LED module via internal thermal management architecture; phase dim and switched light intensity control. Construction from easily separable materials facilitate easy life-extending upgrades and recycling.

VLUX R

Product part number nomenclature and example:

Product part number	Product description
VXSMB3F1500M930WD1	VLUX surface mount down light, 1500 lumens, Medium beam reflector, CRI >90 Ra, 3000K, White finish, Phase Dim.

Options:

VX	SM	B3F	1500	M	9	30	W	D1
↓	↓	↓	↓	↓	↓	↓	↓	↓
Product Series	Model	LED Model	Lumen Category (Lumens)	Beam angle	CRI (Ra)	CCT (Kelvin)	Body colour **	Lighting control
VX = VLUX	SM = Surface mount down light	B3F	1000	M = Medium	9 ≥ 90	27 = 2700K	W = White RAL9010	D1 = Phase
			1500	XW = Extra Wide *		30 = 3000K	G = Grey RAL9006	Blank = Non-Dim
			2000			35 = 3500K	B = Black RAL9005	
						40 = 4000K		

* White finish reflector

** Special colour and finishes available on special order basis