

Freda Multi 2



Installation
Recessed

Housing Colours
White RAL 9010
Grey RAL 9006
Black 9005

Construction
Die-cast powder coated aluminium housing, aluminium reflector, remote PSU

Adjustment
Tilt up to 50°

Protection Class 2, IP20

Certification
CE, UKCA

Weight: 2Kg approx..
Cutout: 198 x 298mm

Light source
High efficiency LED

Beam Angles
Interchangeable reflectors
Narrow 15°, Medium 23.8°
Wide 33.3°, Extra Wide 56.9°

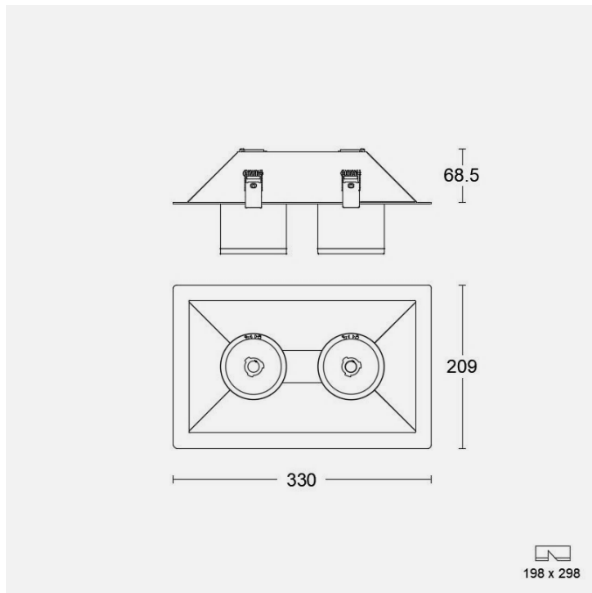
Luminous Efficacy
Up to 143 lm/W
TM-21: 10,000 hrs = 97.67%
L80/B10: 50,000 = 90.98%

Light quality
2700K, 3000K, 3500K, 4000K
CRI >90 Ra and >98 Ra to special order, 3 SDCM

Lumen categories
1900, 2900, 4000 lumens

Lighting control
DALI, 1-10V, Phase, Switched

Dimensions (mm)



Mounting options

Recessed
Recessed trim-less

Accessories

Interchangeable reflectors

Light distribution



15° 23.8° 33.3° 56.9°

Light output details

Luminaire Output-						
CRI/CCT	350mA		550mA		800mA	
	Total Watts	13.5	Total Watts	21.4	Total Watts	31.8
	Lm	Lm/W	Lm	Lm/W	Lm	Lm/W
927	1855	137	2842	133	3938	124
930	1893	140	2900	136	4018	126
935	1912	142	2929	137	4058	128
940	1931	143	2958	138	4098	129
Lumen Class	1900		2900		4000	

Description

Recessed adjustable spotlight; die-cast aluminium and steel construction; epoxy powder coated available in three colours as standard, white, black and grey silver; adjustable light head, tilt 50°; remote mounted PSU; four beam angle options with interchangeable, high efficiency vapour deposition coated interchangeable aluminium faceted reflectors, narrow, medium, wide and extra wide; three light output class options, 1900, 2900, and 4000 lumens; CRI >90 Ra as standard with 98 Ra available on special order basis; passive cooled LED module via internal thermal management architecture; lighting control Phase, 1-10V, Phase and switched. Construction from easily separable materials facilitate easy life-extending upgrades and recycling.

Freda Multi 2

Product part number nomenclature and example:

Product part number	Product description
FRD2B3F1900N930WD3	Freda Multi 2 way recessed spotlight, 1900 lumens, Narrow beam, CRI >90, 3000K, White, Non-Dim

Options:

FR	D	2	B3F	1900	N	9	30	W	
↓	↓	↓	↓	↓	↓	↓	↓	↓	↓
Product Series	Function	Light head quantity	LED Module	Lumen Category (Lumens)	Beam angle	CRI (Ra)	CCT (Kelvin)	Body colour *	Lighting control
FR = Freda	D = Down light	1	B3F	1900	N = Narrow	9 ≥ 90	27 = 2700K	W = White RAL9010	D1 = Phase
		2		2900	M = Medium		30 = 3000K	G = Grey RAL9006	D2 = 1-10V
		3		4000	W = Wide		35 = 3500K	B = Black RAL9005	D3 = DALI
		4			XW = Extra Wide		40 = 4000K		Blank = Non-Dim

* Custom colour and finishes available on special order basis