

Giro Multi 2



Installation
Recessed

Housing Colours
White RAL 9010
Grey RAL 9006
Black 9005

Construction
Die-cast powder coated aluminium and steel, vapour deposition coated aluminium reflector, remote PSU

Protection Class 2, IP20

Adjustment
Tilttable 45°

Certification
CE, UKCA

Weight: 1.9 Kg approx..
Cutout : 177 x 327mm

Light source
High efficiency LED

Beam Angles
Interchangeable reflectors
Narrow 15.6°, Medium 27.2°
Wide 38.3°, Extra Wide 59.8°

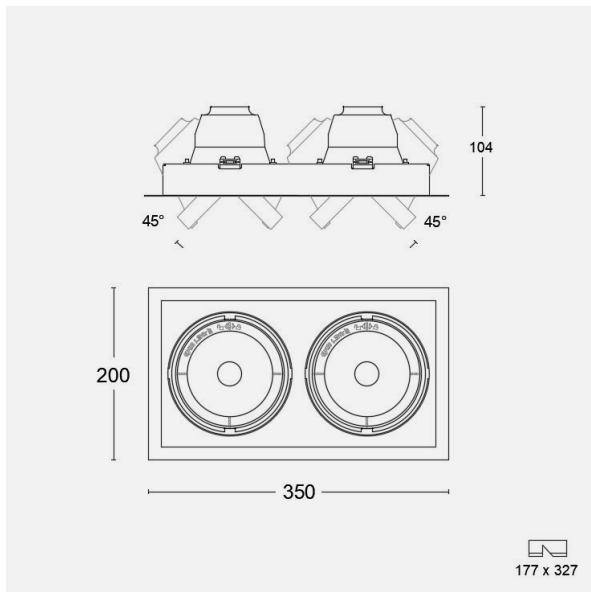
Luminous Efficacy
Up to 131 lm/W
L80/B10 50,000 hours

Light quality
2700K, 3000K, 3500K, 4000K
CRI ≥ Ra 90 and ≥ Ra 98 to special order, 3 SDCM.

Lumen categories
2500, 3500, 4500 lumens

Lighting control
Phase, 1-10V, DALI, Switched

Dimensions (mm)



Accessories

Reflectors
Sparkle ring white

Light distribution



15.6° 27.2° 38.3° 59.8°

Light output details

Luminaire Output -						
CRI/CCT	500mA		750mA		1050mA	
	Total Watts	19.3	Total Watts	29.8	Total Watts	42.2
	Lm	Lm/W	Lm	Lm/W	Lm	Lm/W
927	2425	126	3461	116	4435	105
930	2474	128	3532	119	4525	107
935	2499	129	3567	120	4570	108
940	2523	131	3603	121	4616	109
Lumen Class	2500		3500		4500	

Description

Recessed adjustable gimbal spotlight; die-cast aluminium and steel construction with powder coated surface available in three colours as standard, white, black and grey silver; adjustable light head, 45° tilt; remote mounted PSU; four beam angle options with interchangeable, high quality vapour deposition coated aluminium faceted reflector, narrow, medium, wide and extra wide; three light output class options, 2500, 3500, and 4500 lumens; CRI >90 Ra as standard and 98 Ra on special order basis; passive cooled LED via internal thermal management architecture; lighting control Phase, 1-10V, DALI and switched. Construction from easily separable materials facilitate easy life-extending upgrades and recycling.

Giro Multi 2

Product part number nomenclature and example:

Product part number	Product description
GIR2B3F2500N930WD1	Giro Multi twin recessed gimbal spotlight, 2 x 2500 lumens, Narrow beam, CRI >90, 3000K, White finish, Phase dimmable

Options:

GIR	2	B3F	2500	N	9	30	W	D1
↓	↓	↓	↓	↓	↓	↓	↓	↓
Product Series	Light head quantity	LED Module	Lumen Category (Lumens)	Beam angle	CRI (Ra)	CCT (Kelvin)	Body colour *	Lighting control
GIR = Giro	1	B3F	2500	N = Narrow	9 ≥ 90	27 = 2700K	W = White RAL9010	D1 = Phase **
	2		3500	M = Medium		30 = 2700K	G = Grey RAL9006	D2 = 1-10V
	3		4500	W = Wide		35 = 3500K	B = Black RAL9005	D2 = DALI
	4			XW = Extra Wide		40 = 4000K		Blank = Non-Dim

* Special colour and finishes available upon request. Please contact us directly to discuss.

** Up to 700 mA

Optical accessories (ordered separately):

Part number	Product description
5080-15	Reflector for Giro-COB:108 15 degree, 1090AL
5080-28	Reflector for Giro-COB:108 28 degree, 1090AL
5080-40	Reflector for Giro-COB:108 40 degree, 1090AL
5080-60	Reflector for Giro-COB:108 60 degree, 1090AL
1295W	Sparkle ring for Giro 1295, White