

# Direct R



**Installation**  
Recessed

**Housing Colours**  
White RAL 9010  
Grey RAL 9006  
Black 9005

**Construction**  
Die-cast powder coated aluminium housing, Aluminium reflector, remote PSU

Protection Class 2, IP20

Weight: Up to 1.0 Kg

**Adjustment**  
Rotation: 355°, Tilt: 80°

**Cut Out size**  
130mm +/- 2mm

**Light source**  
High efficiency LED

**Beam Angles**  
Narrow 22°, Medium 28°  
Wide 38°

**Luminous Efficacy**  
Up to 143 Lm/W  
L80/B10 @ 50,000 hrs

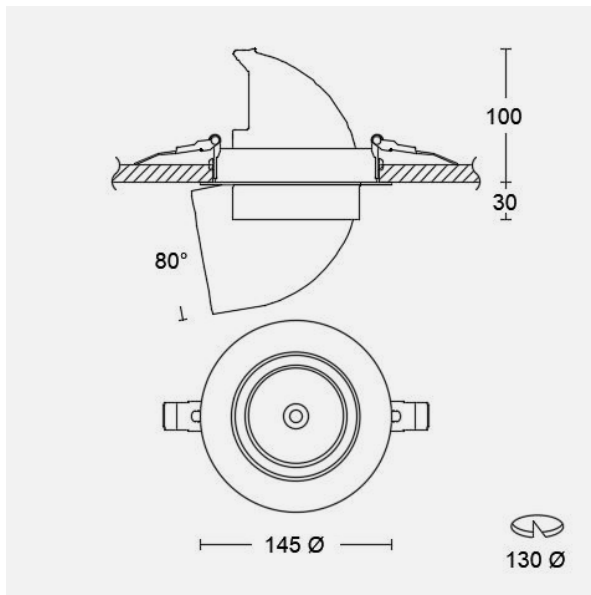
**Light quality**  
2700K, 3000K, 3500K, 4000K  
CRI ≥90 Ra / 3 SDCM

**Light output categories**  
1900, 2900, 4000 Lumens

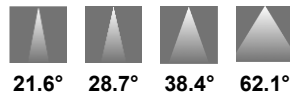
**Lighting control**  
Phase, 1-10V, DALI and switched

**Certification**  
CE, UKCA

## Dimensions (mm)



## Light distribution



## Light output details

Luminaire Output						
CRI/CCT	350mA		550mA		800mA	
	Total Watts	13.5	Total Watts	21.4	Total Watts	31.8
	Lm	Lm/W	Lm	Lm/W	Lm	Lm/W
927	1855	137	2842	133	3938	124
930	1893	140	2900	136	4018	126
935	1912	142	2929	137	4058	128
940	1931	143	2958	138	4098	129
<b>Lumen Class</b>	1900		2900		4000	

## Description

Versatile recessed adjustable spotlight constructed from die-cast aluminium with powder coated surface available in three colours as standard, white, black and grey silver; adjustable through 355° rotation, 80° tilt; remote mounted PSU; three beam angles, narrow, medium wide via interchangeable high performance reflectors; three light output class options, 1900, 2900 and 4000 lumens; passive cooled LED via internal thermal management architecture; light intensity control options include, DALI, 1-10V, Phase and switched; construction from easily separable materials facilitate easy life-extending upgrades and recycling.

# Direct R

## Product part number nomenclature and example:

Product part number	Product description
DIRB3F1900M930W	Direct R, recessed adjustable spotlight, 1900 lumens, Medium beam interchangeable reflector, CRI >90, 3000K, White finish, Non-Dim

## Options:

DIR	B3F	1900	M	9	30	W	BDB
↓	↓	↓	↓	↓	↓	↓	↓
Product Series	LED Module	Lumen Category (Lumens)	Beam angle	CRI (Ra)	CCT (Kelvin)	Body colour *	Lighting control
DIR = Direct	B3F	1900	N = Narrow	9 ≥ 90	27 = 2700K	W = White RAL9010	D1 = Phase
		2900	M = Medium		30 = 3000K	G = Grey RAL9006	D2 = 1-10V
		4000	W = Wide		35 = 3500K	B = Black RAL9005	D3 = DALI
					40 = 4000K		Blank = Non-Dim

\* Custom colours and finishes available on special order basis

## Accessory attachments (purchased separately):

Part number	Description
AC95HC	Honeycomb Louvre 95
AC95EL	Elongation Lens 95
AC95FB	Filter lens, Bakery 95
AC95FM	Filter lens, Meat 95
AC95FF	Filter lens, Fish 95