

VLUX Spotlight L



Installation
Recessed

Housing Colours
White RAL 9010
Grey RAL 9006
Black 9005

Construction
Die-cast powder coated aluminium and plastic housing.
PMMA lens, remote PSU
Protection Class 2, IP20

Certification
CE, UKCA

Weight: 0.3 Kg approx..
Cut out : 130mm Ø

Light source
High efficiency LED

Beam Angles
Narrow 16°, Medium 24°
Wide 40°

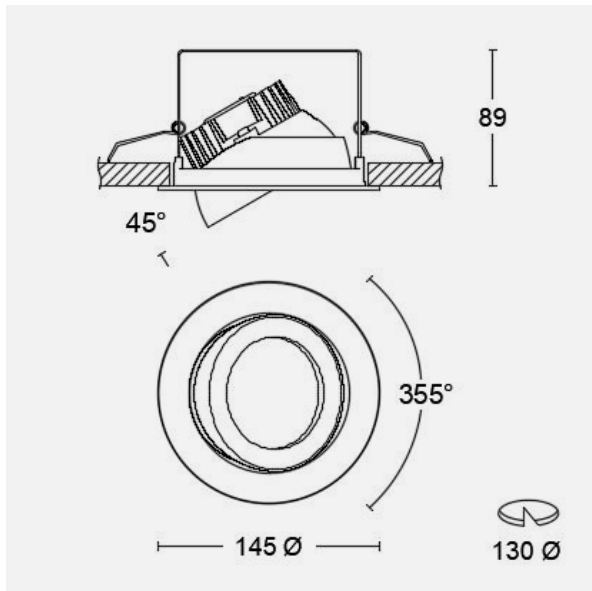
Luminous Efficacy
max 140 lm/W
L80/B10 50,000 h

Light quality
2700K, 3000K, 3500K, 4000K
CRI ≥90 Ra
3 SDCM.

Light output categories
1600, 2100, 2500 lumens

Lighting control
Phase, 1-10V, DALI and Switched.
Dim2warm on request.

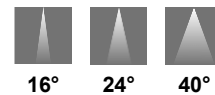
Dimensions (mm)



Accessory attachments

Honeycomb louvre
Elongation lens
Spreader lens
Frosted lens
Colour filters

Light distribution



Light output details

Luminaire Output-						
CRI/CCT	300mA		400mA		500mA	
	Total Watts	11.6	Total Watts	15.5	Total Watts	19.6
	Lm	Lm/W	Lm	Lm/W	Lm	Lm/W
927	1562	135	2025	131	2458	125
930	1594	137	2066	133	2508	128
935	1610	139	2087	135	2533	129
940	1626	140	2107	136	2558	131
Lumen Class	1600		2100		2500	

Description

Efficient recessed adjustable spotlight constructed from epoxy powder coated die cast aluminium, steel and plastic; three colour options as standard, white, black and grey; adjustable through 359° rotation, 30° tilt; powered by remotely mounted PSU; three beam angle options, narrow, medium and wide beam via efficient lens optics; three light output class options, 1600, 2100 and 2500 lumens; passive cooled LED module via internal thermal management architecture; optical accessory attachments available; light intensity control options include; Phase, 1-10V, DALI and switched. Dim2warm on request. Construction from easily separable materials facilitate easy life-extending upgrades and recycling.

VLUX Spotlight L

Product part number nomenclature and example:

Product part number	Product description
VXLRAB3F1600MHC930WD3	VLUX recessed spotlight, 1600 lumens, Medium beam lens optic, Honeycomb louvre, CRI >90 Ra, 3000K, White finish, DALI dimmable

Options:

VX	L	RA	B3F	1600	M	9	30	W	D3
↓	↓	↓	↓	↓	↓	↓	↓	↓	↓
Product Series	Optical control	Model	LED Module	Light output (Lumens)	Beam angle	CRI (Ra)	CCT (Kelvin)	Body colour *	Dimming control
VX = VLUX	L = Lens	RA = Recessed Adjustable spotlight	B3F	1600	N = Narrow	9 ≥ 90	27 = 2700K	W = White RAL9010	D1 = Phase
				2100	M = Medium		30 = 3000K	G = Grey RAL9006	D2 = 1-10V
				2500	W = Wide		35 = 3500K	B = Black RAL9005	D3 = DALI
							40 = 4000K		Blank = Non-Dim

* Special colour and finishes available on special order basis

Part number	Product description
AC75HC	Honeycomb louvre
AC75HC	Elongation lens
AC75HC	Spreader lens
AC75HC	Frosted lens
AC75HC	Filter lens designed for Bakery presentations
AC75HC	Filter lens designed for Meat presentations
AC75HC	Filter lens designed for Fish presentations

Accessories supplied pre-assembled in black plastic carrier as standard.