

VLUX Spotlight R



Installation
Recessed

Housing Colours
White RAL 9010
Grey RAL 9006
Black 9005

Construction
Die-cast powder coated aluminium housing
polycarbonate adapter
PMMA lens, remote PSU

Protection Class 2, IP20

Certification
CE, UKCA

Weight: 0.3 Kg approx.
Cut out : 130mm Ø

Light source
High efficiency LED

Beam Angles
Medium 29° Extra Wide 66°

Luminous Efficacy
max 137 lm/W
L80/B10 50,000 hrs

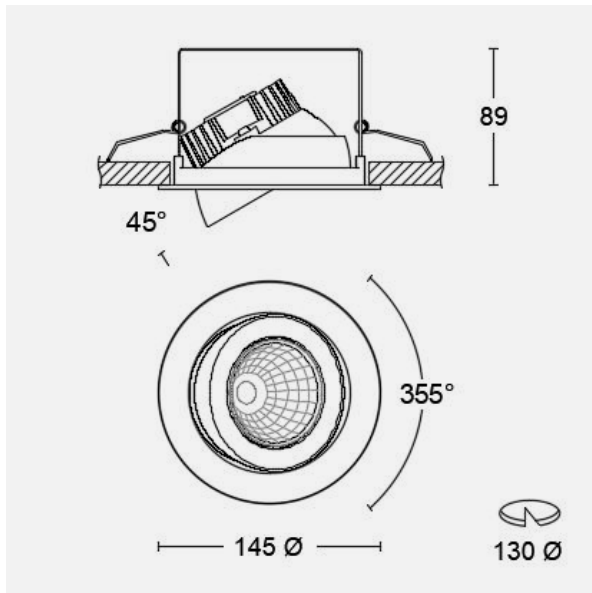
Light quality
2700K, 3000K, 3500K, 4000K

CRI ≥90 Ra
3 SDCM. 2 SDCM

Lumen categories
1500, 2000, 2500 lumens

Lighting control
Phase, 1-10V, DALI, Casambi and switched. Dim2warm on request.

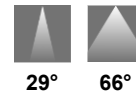
Dimensions (mm)



Accessory attachments

Honeycomb louvre. Elongation, Spreader, Frosted lenses and colour filters.

Light distribution



Light output details

| Luminaire Output- | | 300mA | | 400mA | | 500mA | |
|-------------------|-------------|-------|-------------|-------|-------------|-------|--|
| CRI/CCT | Total Watts | 11.6 | Total Watts | 15.2 | Total Watts | 19.3 | |
| | Lm | Lm/W | Lm | Lm/W | Lm | Lm/w | |
| 927 | 1527 | 132 | 1987 | 131 | 2456 | 127 | |
| 930 | 1558 | 134 | 2028 | 133 | 2506 | 130 | |
| 935 | 1574 | 136 | 2048 | 135 | 2531 | 131 | |
| 940 | 1589 | 137 | 2069 | 136 | 2556 | 132 | |
| Lumen Class | 1500 | | 2000 | | 2500 | | |

Description

Efficient recessed adjustable spotlight constructed from epoxy powder coated die cast aluminium, steel and plastic; three colour options as standard, white, black and grey; adjustable through 359° rotation, 30° tilt; powered by remotely mounted PSU; two beam angle options, medium and extra wide beam interchangeable high performance reflectors; three light output class options, 1500, 2000 and 2500 lumens; passive cooled LED module via internal thermal management architecture; optical accessory attachments available; light intensity control options include; Phase, 1-10V, DALI, Casambi and switched. Dim2warm on request. Construction from easily separable materials facilitate easy life-extending upgrades and recycling.

VLUX Spotlight R

Product part number nomenclature and example:

| Product part number | Product description |
|---------------------|--|
| VXRAB3F1500XW930WD3 | VLUX recessed spotlight, 1500 lumens, extra wide beam interchangeable reflector, Honeycomb louvre, CRI >90, 3000K, White finish, DALI dimmable |

Options:

| VX | RA | B3F | 1500 | XW | 9 | 30 | W | D3 |
|----------------|------------------------------------|-----------|-------------------------|-------------------|----------|--------------|-------------------|------------------|
| ↓ | ↓ | ↓ | ↓ | ↓ | ↓ | ↓ | ↓ | ↓ |
| Product Series | Model | LED Model | Lumen Category (Lumens) | Beam angle | CRI (Ra) | CCT (Kelvin) | Body colour ** | Lighting control |
| VX = VLUX | RA = Recessed Adjustable spotlight | B3F | 1500 | M = Medium | 9 ≥ 90 | 27 = 2700K | W = White RAL9010 | D1 = Phase |
| | | | 2000 | XW = Extra Wide * | | 30 = 3000K | G = Grey RAL9006 | D2 = 1-10V |
| | | | 2500 | | | 35 = 3500K | B = Black RAL9005 | D3 = DALI |
| | | | | | | 40 = 4000K | | D4 = Casambi |
| | | | | | | | | Blank = Non-Dim |

* White finish reflector

** Special colour and finishes available on special order basis