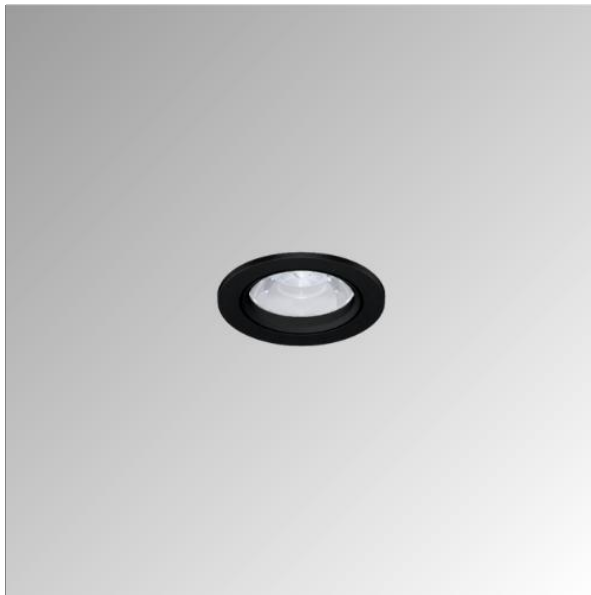


VLUX 100 L



Installation
Recessed

Housing / Bezel colours
White RAL 9010
Grey RAL 9006
Black 9005

Construction
Epoxy powder coated die cast aluminium and plastic housing. PMMA lens. Remote PSU

Protection Class 2
IP20

Certification
CE, UKCA

Weight : 0.2 Kg approx..
Cut out: 86mm Ø

Light source
High efficiency LED

Beam Angles
Narrow 16°, Medium 24°
Wide 40°

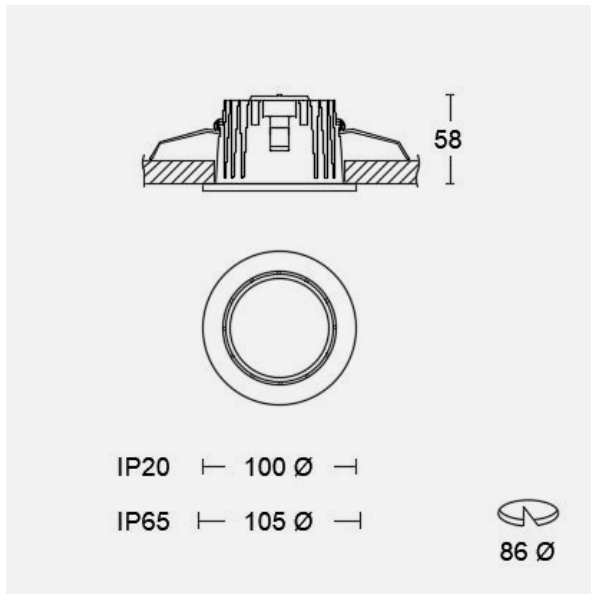
Luminous Efficacy
max 140 lm/W
L80/B10 50,000 h

Light quality
2700K, 3000K, 3500K, 4000K
CRI ≥90 Ra
3 SDCM.

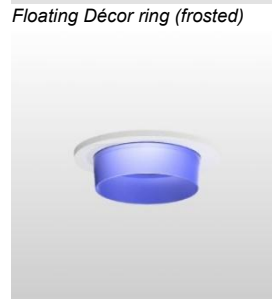
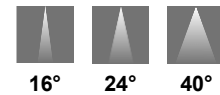
Light output categories
1600, 2100, 2500 lumens

Lighting control
DALI, 1-10V, Phase DIM, non-DIM

Dimensions (mm)



Light distribution



Accessory attachments

- Honeycomb louvre
- Elongation lens
- Spreader lens
- Frosted lens
- Colour filters
- Décor Tube
- Décor Ring
- IP version
- Emergency option
- Floating décor ring (frosted)

Description

Efficient recessed fixed down light constructed from epoxy powder coated die-cast aluminium and plastic in three colours as standard, white, black and grey; powered by remotely mounted PSU; three beam angles, narrow, medium and wide beam via efficient lens optics; three light output class options, 1600, 2100 and 2500 lumens; passive cooled LED module via internal thermal management architecture; optical accessory attachments available; light intensity control options include, DALI, 1-10V, Phase and switched; maintained and non-maintained emergency lighting options available with optional self-test functionality. Constructed from easily separable materials facilitate easy life-extending upgrades and recycling.

VLUX 100 L

Light output details

Luminaire Output-						
CRI/CCT	300mA		400mA		500mA	
	Total Watts	11.6	Total Watts	15.5	Total Watts	19.6
	Lm	Lm/W	Lm	Lm/W	Lm	Lm/W
927	1562	135	2025	131	2458	125
930	1594	137	2066	133	2508	128
935	1610	139	2087	135	2533	129
940	1626	140	2107	136	2558	131
Lumen Class	1600		2100		2500	

Product part number nomenclature and example:

Product part number	Product description
VXLB3F1600M930WD3	VLUX L, Recessed down light, 1600 lumens, Medium beam, CRI >90, 3000K, White finish, DALI-Dimmable

Options:

VX	L	B3F	1600	M	9	30	W			D3
↓	↓	↓	↓	↓	↓	↓	↓	↓	↓	↓
Product Series	Optical control	LED Module	Light output (Lumens)	Beam angle	CRI (Ra)	CCT (Kelvin)	Body colour *	Ingress Protection	Emergency	Lighting control
VX = VLUX	L = Lens	B3F	1600	N = Narrow	9 ≥ 90	27 = 2700K	W = White RAL9010	IP = IP65 (105mm Ø bezel fitted with glass)	E = Emergency	D1 = Phase
			2100	M = Medium		30 = 3000K	G = Grey RAL9006		EN = Emergency non-maintained	D2 = 1-10V
			2500	W = Wide		35 = 3500K	B = Black RAL9005		EST = Self-Test option **	D3 = DALI
						40 = 4000K				Blank = Non-Dim

* Special colour and finishes available on special order basis

** Not required when DALI is specified

Accessory attachments (ordered separately)

Part number	Product description	Part number	Product description
ACDTW	VLUX Décor Tube White	AC75HC	Honeycomb louvre
ACDTB	VLUX Décor Tube Blue	AC75HC	Elongation lens
ACDTR	VLUX Décor Tube Red	AC75HC	Spreader lens
ACDRF	VLUX Décor Floating Ring Frosted **	AC75HC	Frosted lens
		AC75HC	Filter lens designed for Bakery presentations
		AC75HC	Filter lens designed for Meat presentations
		AC75HC	Filter lens designed for Fish presentations

Accessory attachments, excluding décor tubes and décor drop ring are supplied pre-assembled in black plastic carrier as standard.