

Freda



Installation
Recessed

Housing Colours
White RAL 9010
Grey RAL 9006
Black 9005

Construction
Die-cast powder coated aluminium housing
Reflector 95% efficient.
Remote PSU

Adjustment
Rotation 355°, tiltable 45°

Protection Class 2, IP20

Certification
CE, UKCA

Weight: 1 Kg Max
Cut out: 110 mm Ø

Light source
High efficiency LED

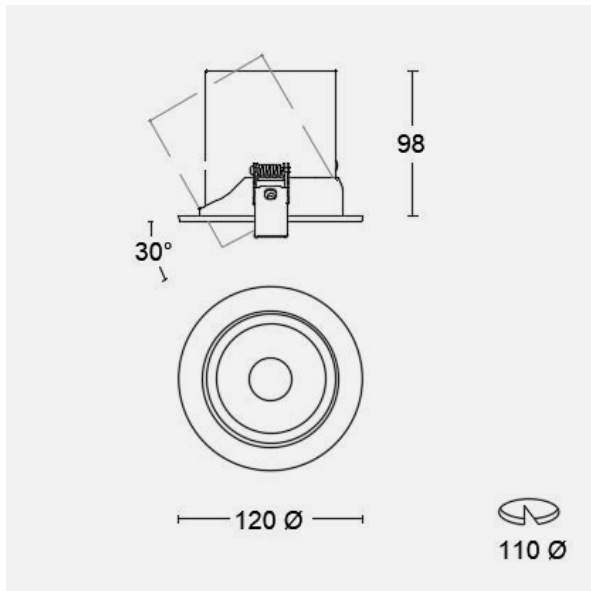
Beam Angles
Interchangeable reflectors
Narrow 15°, Medium 23.8°
Wide 33.3°, Extra Wide 56.9°

Luminous Efficacy
Up to 151 lm/W
TM-21: 10,000 hrs = 97.67%
L80/B10: 55,000 = 90.98%
Light quality
2700K, 3000K, 3500K, 4000K
CRI ≥ Ra 90 and ≥ Ra 98 to special order, 3 SDCM**

Lumen categories
2000, 3200, 4200 lumens

Lighting control
Phase, 1-10V, DALI and switched. Dim2warm on request.

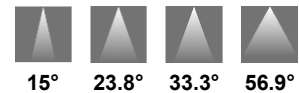
Dimensions (mm)



Accessories

Reflectors
Sparkle ring white

Light distribution



Light output details

Luminaire Output-						
CRI/CCT	350mA		600mA		800mA	
	Total Watts	13.5	Total Watts	23.1	Total Watts	31.8
	Lm	Lm/W	Lm	Lm/W	Lm	Lm/W
927	1965	146	3159	137	4071	128
930	2005	149	3223	140	4154	131
935	2025	150	3255	141	4196	132
940	2045	151	3287	142	4237	133
Lumen Class	2000		3200		4200	

Description

Recessed adjustable spotlight; die-cast aluminium, epoxy powder coated surface available in three colours as standard, white, black and grey silver; adjustable by 45° tilt; remote mounted PSU; four beam angle options with interchangeable, 95% efficient vapour deposition coated aluminium faceted reflector, narrow, medium, wide and extra wide; three light output class options, 2000, 3200, and 4200 lumens; CRI >90 Ra as standard with 98 Ra available on special order basis; passive cooled LED via internal thermal management architecture; lighting control options include; Phase, 1-10V, DALI, Casambi and switched. Dim2warm on request. Construction from easily separable materials to facilitate convenient life-extending upgrades and end of life recycling.

Freda

Product part number nomenclature and example:

Product part number	Product description
FRGCB3F2000N930WD1	Freda recessed spotlight, 2000 lumens, Narrow beam, CRI >90, 3000K, White, Phase-Dim

Options:

FR	GC	B3F	2000	N	9	30	W	D1
↓	↓	↓	↓	↓	↓	↓	↓	↓
Product Series	Model	LED Module	Lumen Category (Lumens)	Beam angle	CRI (Ra)	CCT (Kelvin)	Body colour *	Lighting control
FR = Freda series	GC = Gimbal	B3F	2000	N = Narrow	9 ≥ 90	27 = 2700K	W = White RAL9010	D1 = Phase
			3200	M = Medium		30 = 3000K	G = Grey RAL9006	D2 = 1-10V
			4200	W = Wide		35 = 3500K	B = Black RAL9005	D3 = DALI
				XW = Extra Wide		40 = 4000K		Blank = Non-Dim

* Custom colours and finishes available on special order basis

** 2 SDCM and special light quality designs available on request.