

Freda T3i



Installation
3-circuit power track

Housing Colours
White RAL 9010
Grey RAL 9006
Black 9005

Construction
Die-cast powder coated aluminium housing, polycarbonate adapter, aluminium reflector, integrated PSU in track adapter.

Protection Class 2. IP20

Weight: 0.6 Kg approx..

Certification
CE, UKCA

Light source
High efficiency LED

Beam Angles
Narrow 15°, Medium 23.8°
Wide 33.3°, Extra wide 56.9°

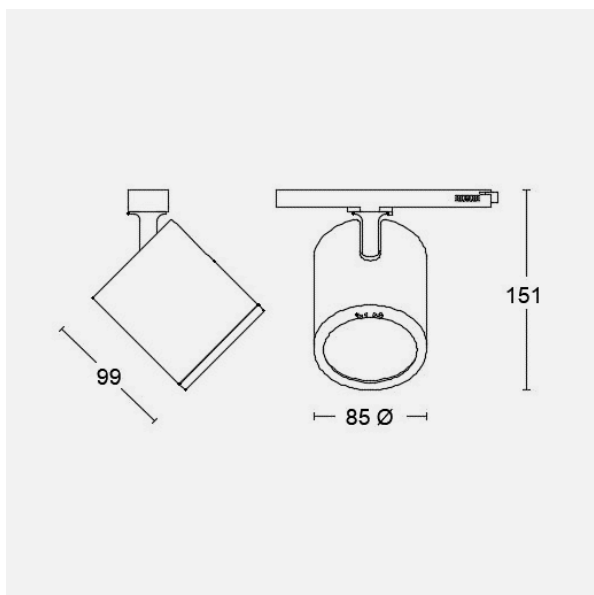
Luminous Efficacy
Up to 151 lm/W
L80/B10 50,000 hrs

Light quality
2700K, 3000K, 3500K, 4000K
CRI ≥ Ra 90 and ≥ Ra 98 to special order, 3 SDCM.

Light output categories
2000, 3200, 4200 lumens

Lighting control
Phase, 1-10V, DALI, Switched, CASAMBI

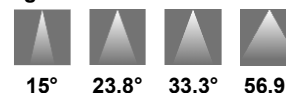
Dimensions (mm)



Accessories

Reflectors

Light distribution



15° 23.8° 33.3° 56.9°

Light output details

Luminaire Output-						
CRI/CCT	350mA		600mA		800mA	
	Total Watts	13.5	Total Watts	23.1	Total Watts	31.8
	Lm	Lm/W	Lm	Lm/W	Lm	Lm/W
927	1965	146	3159	137	4071	128
930	2005	149	3223	140	4154	131
935	2025	150	3255	141	4196	132
940	2045	151	3287	142	4237	133
Lumen Class	2000		3200		4200	

Description

Cylindrical track spotlight; die-cast aluminium with powder coated surface available in three colours as standard, white, black and grey silver; adjustable light head, 355° rotation, 90° tilt; integrated PSU within 3-circuit track adaptor; toolless installation and repositioning within 3-phase power track; four beam angle options with interchangeable, high quality, vapour deposition coated aluminium faceted 95% efficient reflectors with four beam angle options, narrow, medium, wide and extra wide; three light output class options, 2000, 3200, and 4200 lumens; CRI > Ra 90 as standard and 98 Ra on special order basis; passive cooled LED via internal thermal management architecture; three dimming options, Phase, 1-10V, DALI, Casambi and Non-Dim as standard. DIM2warm versions also available. Construction from easily separable materials facilitate easy life-extending upgrades and recycling.

Freda T3i

Product part number nomenclature and example:

Product part number	Product description
FRST3IB3F2000N930W	Freda 3-circuit track spotlight, 2000 lumens, Narrow beam, CRI >90, 3000K, White body, Non-Dim

Options:

FR	S	T3I	B3F	2000	N	9	30	W	
↓	↓	↓	↓	↓	↓	↓	↓	↓	↓
Product Series	Model	Mounting type	LED Module	Lumen Category (Lumens)	Beam angle	CRI (Ra)	CCT (Kelvin)	Body colour *	Lighting control
FR = Freda series	S = Spotlight	T3I = 3-circuit track integral PSU	B3F	2000	N = Narrow	9 ≥ 90	27 = 2700K	W = White RAL9010	D1 = Phase
				3200	M = Medium		30 = 3000K	G = Grey RAL9006	D2 = 1-10V
				4200	W = Wide		35 = 3500K	B = Black RAL9005	D3 = DALI
					XW = Extra Wide		40 = 4000K		Blank = Non-Dim

* Custom colours and finishes available on special order basis