

Tube 125



Installation
3-circuit power track

Housing Colours
White RAL 9010
Grey RAL 9006
Black 9005

Cowl Colours
Black (standard)

Construction
Die-cast powder coated aluminium housing, steel stirrup, polycarbonate adapter, Aluminium reflector, Integrated PSU

Protection Class 2. IP20

Weight: 1.2 Kg approx..

Certification
CE, UKCA

Light source
High efficiency LED

Beam Angles
Interchangeable reflectors
Narrow 15.6°, Medium 27.2°
Wide 38.3°, Extra Wide 59.8°

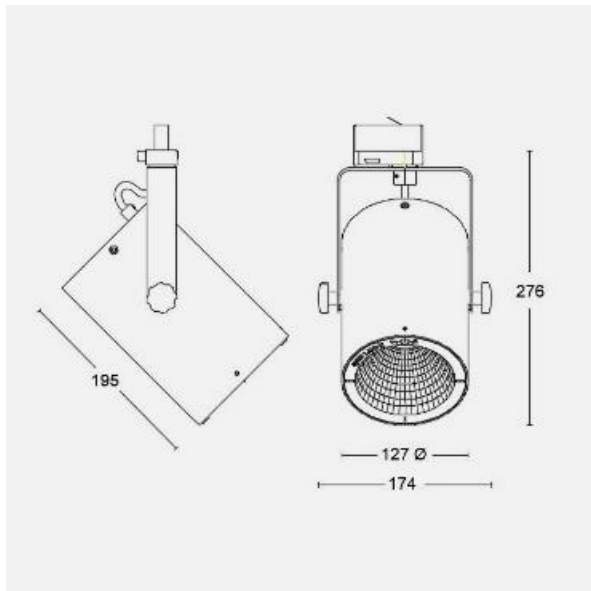
Luminous Efficacy
Up to 131 lm/W
L80/B10 50,000 hours

Light quality
2700K, 3000K, 3500K, 4000K
CRI ≥ 90 Ra and ≥ 98 Ra to special order, 3 SDCM.

Lumen categories
2500, 3500, 4500 lumens

Lighting control
Switched

Dimensions (mm)



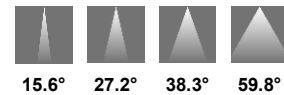
Accessory attachments

Honeycomb louvre
Elongation lens
Beam spreader lens
Frosted lens
Filters
Cross blade
Barn doors

Mounting options

T3 track adapter
Ceiling cup 80 \varnothing
Hook clamp (50mm)

Light distribution



Description

Cylindrical track spotlight with stirrup mount; die-cast aluminium with powder coated surface available in three colours as standard, white, black and grey; adjustable light head, 355° rotation, 90° tilt; integrated PSU; toolless installation and repositioning within 3-phase power track; surface mounted 80mm diameter ceiling cup option available; four beam angle options with interchangeable, vapour deposition coated aluminium faceted reflectors, narrow, medium, wide and extra wide beam; three light output class options, 2500, 3500, and 4500 lumens; CRI >90 Ra as standard and 98 Ra on special order basis; passive cooled LED via internal thermal management architecture; barndoor attachment accessory available for mechanical lighting control; further optical accessories available; switched lighting control as standard. Construction from easily separable materials facilitate easy life-extending upgrades and recycling.

Tube 125

Light output details

Luminaire Output						
CRI/CCT	500mA		750mA		1050mA	
	Total Watts	19.3	Total Watts	29.8	Total Watts	42.2
	Lm	Lm/W	Lm	Lm/W	Lm	Lm/W
927	2425	126	3461	116	4435	105
930	2474	128	3532	119	4525	107
935	2499	129	3567	120	4570	108
940	2523	131	3603	121	4616	109
Lumen Class	2500		3500		4500	

Product part number nomenclature and example:

Product part number	Product description
TUB125T3B3F3500M930BBDB	Tube 125 track mount spotlight, 3500 lumens, Medium beam lens optics, CRI >90, 3000K, Black body, Barn doors black

Options:

TUB125	B3F	3500	M	9	30	B	BDB
↓	↓	↓	↓	↓	↓	↓	↓
Product Series	LED Module	Lumen Category (Lumens)	Beam angle	CRI (Ra)	CCT (Kelvin)	Body colour *	Accessory attachment
TUB125 = Tube 125	B3F	2500	N = Narrow	9 ≥ 90	27 = 2700K	W = White RAL9010	BDB = Barn door black (factory fitted)
		3500	M = Medium		30 = 3000K	G = Grey RAL9006	BDW = Barn door white (factory fitted)
		4500	W = Wide		35 = 3500K	B = Black RAL9005	
			XW = Extra Wide		40 = 4000K		

* Custom colours and finishes available on special order basis.

Optical accessories (ordered separately):

Part number	Description	Part number	Description
5080-15	Reflector for Giro-COB:108 15 degree, 1090AL	AC125HC	Accessory 125mm Honeycomb louvre
5080-28	Reflector for Giro-COB:108 28 degree, 1090AL	AC125EL	Accessory 125mm Elongation Lens
5080-40	Reflector for Giro-COB:108 40 degree, 1090AL	AC125FB	Accessory 125mm Filter Lens Bakery
5080-60	Reflector for Giro-COB:108 60 degree, 1090AL	AC125FM	Accessory 125mm Filter Lens Meat
1295W	Sparkle ring for Giro 1295, White	AC125FF	Accessory 125mm Filter Lens Fish