

Tube 95 L



Installation
3-circuit power track
Ceiling cup 80Ø

Housing Colours
White RAL 9010
Grey RAL 9006
Black 9005

Cowl Colours
Black (standard)

Construction
Die-cast powder coated aluminium housing, polycarbonate adapter, aluminium reflector, integrated PSU

Protection Class 2, IP20
Weight: 1.05 Kg approx..

Certification
CE, UKCA

Light source
High efficiency LED

Beam Angles
Med 21.4°, Flood 33.3°

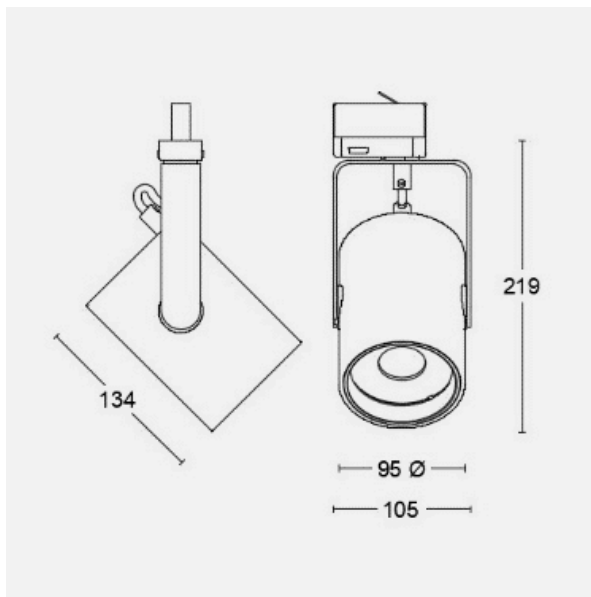
Luminous Efficacy
Up to 130 lm/W
L80/B10 50000 h

Light quality
2700K, 3000K, 3500K, 4000K
CRI ≥90 Ra and ≥98 Ra to special order. 3 SDCM. 2 SDCM and special light quality designs available on request

Lumen categories
2200, 3200, 4000 Lumens

Lighting control
Switched

Dimensions (mm)



Accessories

Honeycomb louvre
Elongation lens
Filters
Barn doors (factory fit)

Light distribution



21.4° 33.3°

Light output details

CRI/CCT	Luminaire Output					
	450mA		700mA		900mA	
	Total Watts	17.3	Total Watts	27.3	Total Watts	35.3
	Lm	Lm/W	Lm	Lm/W	Lm	Lm/W
927	2164	125	3201	117	3798	108
930	2208	128	3266	120	3876	110
935	2230	129	3299	121	3915	111
940	2252	130	3331	122	3954	112
Lumen Class	2200		3200		4000	

Description

Cylindrical track spotlight with stirrup mount; die-cast aluminium with powder coated surface available in three colours as standard, white, black and grey; adjustable light head, 359° rotation, 90° tilt; integrated PSU; toolless installation and repositioning within 3-phase power track; two beam angle options with integrated precision lens optics, medium flood and flood; three light output class options, 2200, 3200 and 4000 lumens; CRI >Ra 90 as standard and 98 Ra on special order basis; passive cooled LED via internal thermal management architecture; optical accessory attachments available for mechanical lighting control; switched lighting control. Construction from easily separable materials facilitate easy life-extending upgrades and recycling.

Tube 95 L

Product part number nomenclature and example:

Product part number	Product description
TUB95T3B3F2200M930W	Tube 95 track mount spotlight, 2200 lumens, Medium beam lens optics, CRI >90, 3000K, white body

Options:

TUB95	T3	B3F	2200	M	9	30	W	BDB
↓	↓	↓	↓	↓	↓	↓	↓	↓
Product Series	Mounting Type	LED Module	Light output	Beam angle	CRI (Ra)	CCT (Kelvin)	Body colour *	Accessory attachment
TUB95 = Tube 95	T3 = 3-Circuit track	B3F	2200	M = Medium	9 ≥ 90	27 = 2700K	W = White RAL9010	BDB = Barn door black (factory fit only)
	T3I = 3-Circuit track		3200	W = Wide (Flood)		30 = 3000K	G = Grey RAL9006	BDW = Barn door white (factory fit only)
	SM8 = Ceiling cup 80mm Ø		4000			35 = 3500K	B = Black RAL9005	Blank = Non-Dim
						40 = 4000K		

* Custom colours and finish available on special order basis

Accessory attachments (purchased separately):

Part number	Description
AC95HC	Honeycomb Louvre 95
AC95EL	Elongation Lens 95
AC95FB	Filter lens, Bakery 95
AC95FM	Filter lens, Meat 95
AC95FF	Filter lens, Fish 95