

Giro



Installation
3-circuit track mount

Housing Colours
White RAL 9010, Grey RAL 9006, Black 9005

Construction
Die-cast powder coated aluminium housing, vapour deposition coated aluminium reflector 95% efficient. Integrated PSU

Protection Class 2, IP20

Certification
CE, UKCA

Weight: 0.6 Kg approx..

Light source
High efficiency LED

Beam Angles
Interchangeable reflectors
Narrow 15.6°, Medium 27.2°
Wide 38.3°, Extra Wide 59.8°

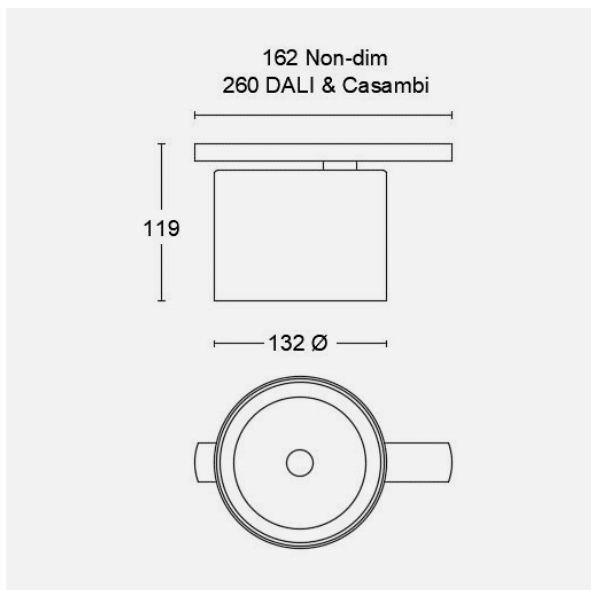
Luminous Efficacy
Up to 131 lm/W
L80/B10 50,000 hours

Light quality
2700K, 3000K, 3500K, 4000K
CRI ≥ 90 and ≥ 98 to special order, 3 SDCM.

Lumen categories
2500, 3500, 4500, lumens

Lighting control
DALI, 1-10V, Phase, Switched

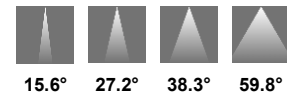
Dimensions (mm)



Accessories

Reflectors
Sparkle ring white
Protective front glass

Light distribution



Light Output Details

Luminaire Output -						
CRI/CCT	500mA		750mA		1050mA	
	Total Watts	19.3	Total Watts	29.8	Total Watts	42.2
	Lm	Lm/W	Lm	Lm/W	Lm	Lm/W
927	2425	126	3461	116	4435	105
930	2474	128	3532	119	4525	107
935	2499	129	3567	120	4570	108
940	2523	131	3603	121	4616	109
Lumen Class	2500		3500		4500	

Description

3-circuit track down light; epoxy powder coated surface available in three colours as standard, white, black and grey; integrated PSU; four beam angle options with interchangeable vapour deposition coated aluminium faceted reflectors, narrow, medium, wide and extra wide; three light output class options, 2500, 3500, and 4500 lumens; CRI >90 Ra as standard and 98 Ra on special order basis; passive cooled LED via internal thermal management architecture; lighting control DALI, 1-10V, Phase Dim and switched. Construction from easily separable materials facilitate easy life-extending upgrades and recycling.

Giro

Product part number nomenclature and example:

Product part number	Product description
GIRDT3IB3F3500M930WD4	Giro down light 3-circuit track, 3500 lumens, medium beam, CRI >90, 3000K, white finish, Casambi-dimmable

Options:

GIR	D	T3I	B3F	3500	M	9	30	W	D4
↓	↓	↓		↓	↓	↓	↓	↓	↓
Product Series	Model	Mounting type	LED Module	Lumen Category (Lumens)	Beam angle	CRI (Ra) *	CCT (Kelvin)	Body colour *	Lighting control
GIR = Giro	D = Downlight	T3I = 3-circuit track integrated PSU	B3F	2500	N = Narrow	9 ≥ 90	27 = 2700K	W = White RAL9010	D3 = DALI
				3500	M = Medium		30 = 3000K	G = Grey RAL9006	D4 = Casambi
				4500	W = Wide		35 = 3500K	B = Black RAL9005	Blank = Non-Dimmable
					XW = Extra Wide		40 = 4000K		

* Custom colours and finishes available on special order basis

Optical accessories:

Part number	Description
5080-15	Reflector for Giro-COB:108 15 degree, 1090AL
5080-28	Reflector for Giro-COB:108 28 degree, 1090AL
5080-40	Reflector for Giro-COB:108 40 degree, 1090AL
5080-60	Reflector for Giro-COB:108 60 degree, 1090AL
1295W	Sparkle ring for Giro 1295, White