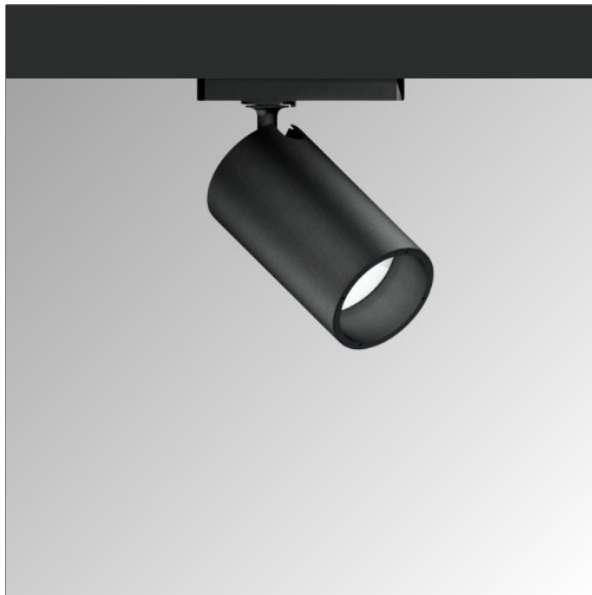


Eclipse 75 - Tuneable White



Installation
3-circuit power track

Housing Colours
White RAL 9010
Grey RAL 9006
Black 9005

Cowl Colours
Black (standard)
Gold
Silver

Construction
Die-cast powder coated aluminium housing, polycarbonate adaptor
PMMA lens, track integrated PSU
Protection Class 2. IP20

Certification
CE, UKCA

Weight: 1 Kg approx.

Light source
High efficiency LED

Beam Angles
Narrow, Medium, Wide

Luminous Efficacy
max 82.5 lm/W
L80/B10 50000 hrs

Light quality
2700K to 6500K
CRI ≥ 95

Lumen categories
1400 or 1900 lumens

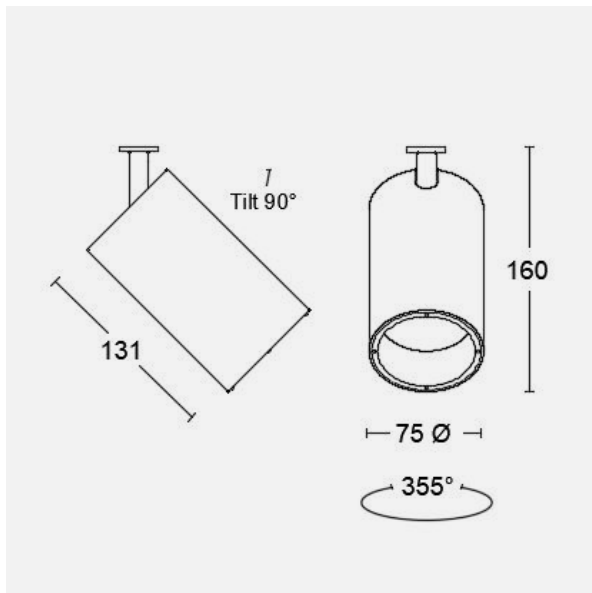
Lighting control
DALI, CASAMBI



DT8



Dimensions (mm)



Mounting



Light distribution



Description

Contemporary and versatile cylindrical track spotlight constructed from die-cast aluminium with powder coated surface available in three colours as standard, white, black and grey silver; adjustable light head, 355° rotation, 90° tilt; PSU integrated in 3-circuit track adaptor; toolless installation and repositioning within power track; three beam angle options with integrated precision lens optics, spot, medium and flood; passive cooled LED via internal thermal management architecture; optical accessory attachments available for mechanical lighting control. Construction from easily separable materials facilitate easy life-extending upgrades and recycling.

EC75ST3ITW1400N27G65

Luminaire output – Maximum output data (Efficiency in Luminaire Lumen Per Watts). Based on narrow beam optic.		
2700K / CRI 95	3500K / CRI 95	6500K / CRI 95
Total Watts	Total Watts	Total Watts
22	21	23
1133 (51.5 Lm/W)	1224 (58.6 Lm/W)	1336 (59.4 Lm/W)

EC75ST3ITW1900N27G65

Luminaire output – Maximum output data (Efficiency in Luminaire Lumen Per Watts). Based on narrow beam optic.		
2700K / CRI 95	3500K / CRI 95	6500K / CRI 95
Total Watts	Total Watts	Total Watts
28	27	29
1667 (55 Lm/W)	1923 (66 Lm/W)	1901 (59 Lm/W)

Eclipse 75 - Tuneable White

Product part number nomenclature and example:

Product part number	Product description
EC75ST3ITW1400N27G65W-D4	Eclipse 75 spotlight, 3-circuit track integrated PSU, 1400 lumens, narrow beam, tuneable white, black cowl, white body, CASAMBI

Options:

EC	75	S	3TI	TW	1400	N	27G65		W	D4
↓	↓	↓	↓	↓	↓	↓	↓	↓	↓	↓
Product Series	Model	Function	Mounting Type	LED Module	Lumen Category (Lumens)	Beam angle	CCT/CRI	Cowl colour	Body colour *	Lighting control
EC = Eclipse	75	S = Spotlight	T3I = 3-circuit track adapter PSU	TW	1400	N = Narrow	2700-CRI95-6500K	G = Gold	W = White RAL9010	D3 = DALI
					1900	M = Medium		S = Silver	G = Grey RAL9006	D4 = CASAMBI
						W = Wide		Blank = Black	B = Black RAL9005	

* Custom colours and finishes available on special order basis

Accessory attachments (ordered separately)

Part number	Description
AC75HC	Honeycomb Louvre 75
AC75EL	Elongation Lens 75
AC75SL	Spreader Lens 75
AC75FL	Frosted Lens 75

Barn doors, Snoots and Cross Blade accessory attachments on request.

Optical accessories are supplied pre-assembled within a black plastic carrier as standard.