

# MLUX A



### Installation

Recessed spring fix  
Mounting height up to 5m

### Housing Colours

White RAL 9010, Black RAL 9005, Grey RAL 9006

### Construction

Steel bezel, remote PSU

Protection Class 2. IP20

Weight: 0.4 Kg (excl. driver)

Cut out Dia. 73mm Ø

### Certification

CE, UKCA

### Light source

High efficiency LED

### Beam Angle

Ultra wide 96°

### Light quality

4000K

CRI ≥ Ra 80

Light output: 307 Lumens

### Lighting control

Non-maintained Emergency

3-hour duration

SELFTTEST as standard 5

second self test + Annual full 3

hour duration test

Reverse battery protection

Over voltage protection

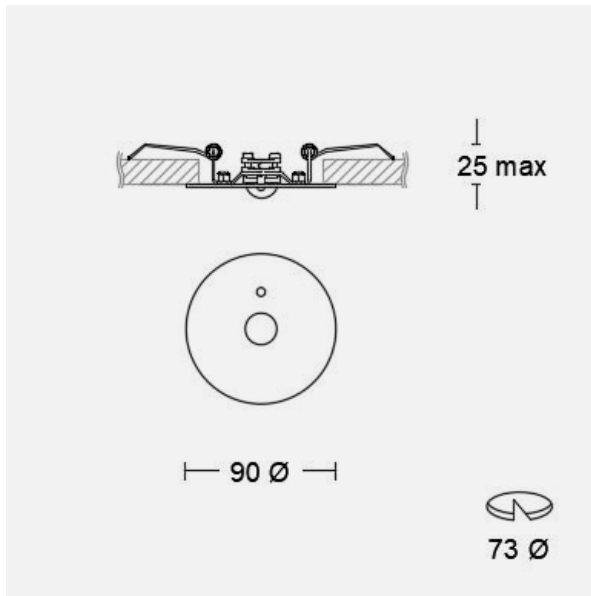
Deep discharge protection

Long life LiFePO4 Batteries

Mercury free, RoHS compliant

Low power consumption

### Dimensions (mm)



### Technical details

Running mode: 1.3W (Once battery has charged)

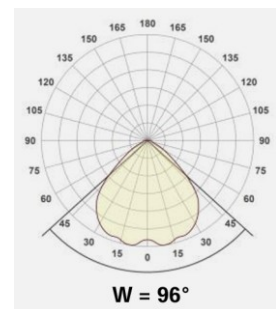
Charge mode: 3.0W (Whilst during battery charging)

Battery discharge mode: 85mA (Emergency mode)

Typical values based on >80 Ra 4000K wide beam 23.V Max

Mounting height (m)	1	2	3	4	5
Lux	130	33	14	8	5
Beam diameter (m)	2.2	4.4	6.6	8.8	11

### Light distribution



### Description

Recessed area emergency luminaire; steel construction, finished in epoxy powder coat in white, grey or black; integrated PSU; ultra wide light distribution; high efficiency LED; CRI > Ra 80, Emergency (non-maintained). Construction from easily separable materials facilitate easy life-extending upgrades and recycling.

# MLUX A

## Product part number nomenclature and example:

Product part number	Product description
MLUXAB	MLUX recessed mounted Area non-maintained emergency light, self-test, black finish

## Options:

MLUX	A	B
↓	↓	↓
Product Series	Light distribution	Body colour *
EC = Eclipse	A = Area	W = White RAL 9010
		G = Grey RAL 9006
		B = Black RAL 9005

\* Custom colours and finishes available on special order basis