

Trunky 125



Installation

Recessed

Housing Colours

White RAL 9010
Grey RAL 9006
Black 9005

Construction

Die-cast powder coated aluminium housing, polycarbonate adapter, PMMA lens, remote PSU

Protection Class 2, IP20

Certification

CE, UKCA

Cut out : 114mm Ø max
Weight: 0.6 Kg approx.

Light source

High efficiency LED

Beam Angles

Narrow 11.8°, Medium 22.8°
Wide 39.7°, Extra Wide 52.4°

Luminous Efficacy

max 118 lm/W
L80/B10 50,000 hrs

Light quality

2700K, 3000K, 3500K, 4000K
CRI ≥80 Ra & ≥90 Ra.
3 SDCM**

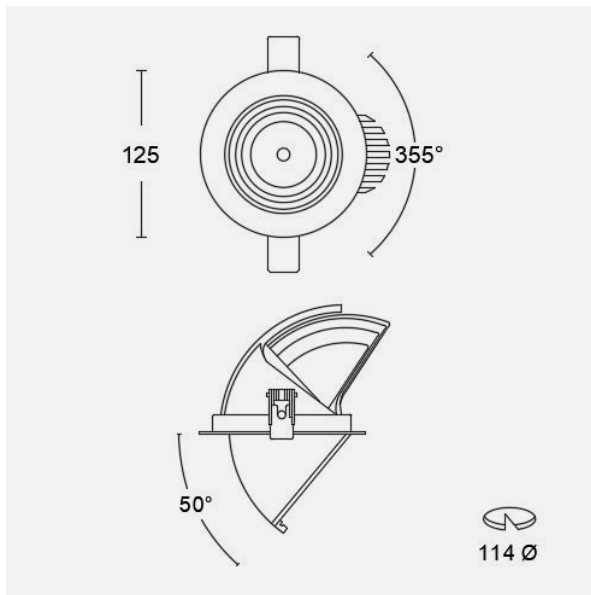
Lumen categories

1100, 1500, 2000, 2400, 2600

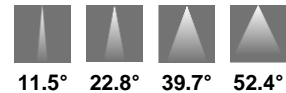
Lighting control

Phase, 1-10V, DALI, Phase, switched. Dim2warm on request.

Dimensions (mm)



Light distribution



Description

Efficient and versatile recessed adjustable spotlight constructed from die cast aluminium, steel and plastic; epoxy powder coated in three colour options as standard, white, black and grey; adjustable through 355° rotation, 50° tilt; powered by remotely mounted PSU; four beam angle options, narrow, medium, wide and extra wide beam interchangeable high performance reflectors; five light output class options, 1100, 1500, 2000, 2400 and 2600 lumens; passive cooled LED module via internal thermal management architecture; optical accessory attachments available; light intensity control options include; Phase, 1-10V, DALI and switched. Dim2warm on request. Construction from easily separable materials facilitate easy life-extending upgrades and recycling.

Trunky 125

Light output details

CRI CCT	Luminaire output Lumens and Efficiency (in Luminaire Lumens Per Watt) at typical drive current (mA) Chart Based on Vero13 in Narrow Beam									
	250mA		350mA		500mA		600mA		700mA	
	LED watts	Total watts	LED watts	Total watts	LED watts	Total watts	LED watts	Total watts	LED watts	Total watts
	8.4	9.7	11.9	14.0	17.4	20.3	19.0	21.9	22.7	25.6
827	1050 (108)		1483 (106)		2004 (99)		2316 (106)		2589 (101)	
830	1116 (115)		1575 (113)		2129 (105)		2461 (112)		2750 (107)	
835	1142 (118)		1612 (115)		2180 (107)		2519 (115)		2815 (110)	
840	1149 (118)		1621 (116)		2191 (108)		2533 (116)		2830 (111)	
927	867 (89)		1223 (87)		1653 (81)		1911 (87)		2135 (83)	
930	906 (93)		1279 (91)		1728 (85)		1998 (91)		2233 (87)	
940	959 (99)		1353 (97)		1829 (90)		2114 (97)		2363 (92)	
Lumen Class	1100		1500		2000		2400		2600	

Product part number nomenclature and example:

Product part number	Product description
TR125B0V2200W930W	Trunky recessed spotlight, 2200 lumens, wide beam reflector, CRI >90, 3000K, white finish, non-dim

Options:

TR125	B0V	2200	W	9	30	W	
↓	↓	↓	↓	↓	↓	↓	↓
Product Series	LED Module	Lumen Category (Lumens)	Beam angle	CRI (Ra)	CCT (Kelvin)	Body Colour *	Lighting control
TR125	B0V	1100	N = Narrow	8 = >80	27 = 2700K	W = White RAL9010	D1 = Phase
		1500	M = Medium	9 = >90	30 = 3000K	G = Grey RAL9006	D2 = 1-10V
		2000	W = Wide		35 = 3500K	B = Black RAL9005	D3 = DALI
		2400	EW = Extra Wide		40 = 4000K		Blank = Non-Dim
		2600					

* Custom colours and finishes available on special order basis.

** 2 SDCM and special light quality designs available on request