

Vario 185



Installation
Recessed

Housing Colours
White RAL 9010
Black RAL 9005
Grey RAL 9006

Construction
Die-cast aluminium bezel, steel support and strings, vapour deposition coated aluminium reflector. Integrated PSU

Protection Class 2, IP20

Certification
CE, UKCA

Weight: 1.0 Kg (excl. driver)
Cut out Dia. 170mm Ø

Light source
High efficiency ZAGA compliant LED module

Beam Angle
Extra wide 74°

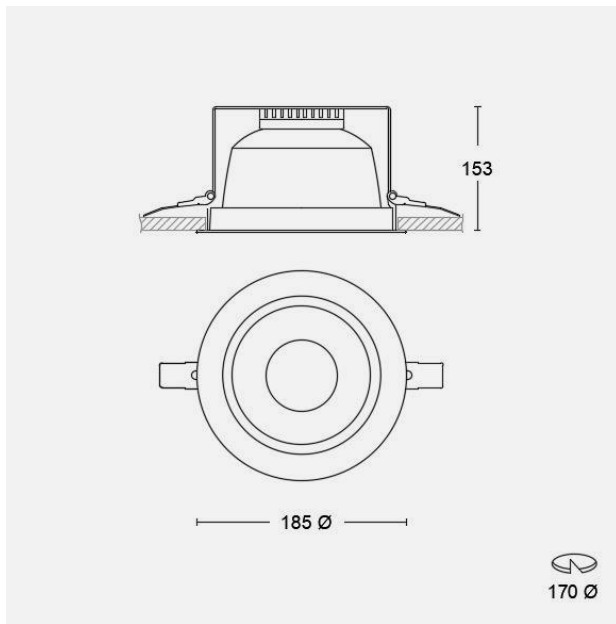
Luminous Efficacy
Up to 101 lm/W
L80/B10 50,000 hrs

Light quality
3000K, 4000K
CRI ≥ Ra 80

Lumen categories
900, 1200 and 1600 lumens

Lighting control
DALI, Emergency, Switched

Dimensions (mm)



Accessories

IP44 version available
Larger flange mounting diameters available to special order

Light distribution



73.8°

Light output details

Luminaire output Lumens and Efficiency (in Luminaire Lumens Per Watts) at typical drive current (mA) and forward voltage (V) DC. Chart Based on DLE G4 ADV Module						
CRI CCT	250mA 33.0V		350mA 33.7V		500mA 34.7V	
	LED watts	LED watts	LED watts	Total watts	LED watts	Total watts
	830	8.3	9.7	11.8	13.6	17.4
840	953 (98)		1231 (91)		1725 (86)	
	981 (101)		1338 (98)		1775 (89)	
	900 Nominal		1200 Nominal		1600 Nominal	

Description

Recessed ambient down light; construction from die-cast aluminium bezel, vapour deposition coated aluminium diamond faceted high efficiency reflector and steel frame, epoxy powder coated in white, grey and black as standard; integrated PSU; ultra wide light distribution, Light output options, 900, 1200 and 1600 lumens from ZAGA compliant high efficiency LED; CRI >Ra 80 Ra, lighting control, DALI, Emergency (non-maintained) and switched. Construction from easily separable materials facilitate easy life-extending upgrades and recycling.

Vario 185

Product part number nomenclature and example:

Product part number	Product description
VAR185RFXDLM1200XW830WD3	Vario 185, recessed ambient down light, 1200 lumens, CRI 80 Ra, 3000K, White, DALI-Dim

Options:

VAR	185	RFX	DLM	1200	XW	8	30	W	D3
↓	↓	↓	↓	↓	↓	↓	↓	↓	↓
Product Series	Model	Mounting	LED Module	Light Output (Lumens)	Beam angle	CRI (Ra)	CCT (Kelvin)	Body Colour *	Lighting control
VAR = Vario	185	RFX = Recessed Down light		900	XW = Extra Wide beam >50°	8 = >80	30 = 3000K	W = White RAL9010	E = Emergency (non maintained)
				1200			40 = 4000K	G = Grey RAL9006	D3 = DALI dimming
				1600				B = Black RAL9005	Blank = Non-Dim

* Custom colours and finishes available on special order basis.