

VLUX 145 is a low depth energy efficient fixed downlight. Add a dash of colour with the easily removable drop tube. The triangular pattern of the reflector adds style and sparkle to any interior. Applications are many, changing rooms, corridors, toilets and general purpose amenity areas. Available in a wide choice of light colours and dimming options the VLUX 145 is good all purchase value downlight.

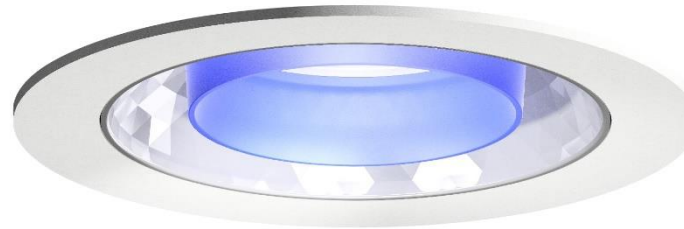


Image shown with blue drop tube which can be removed

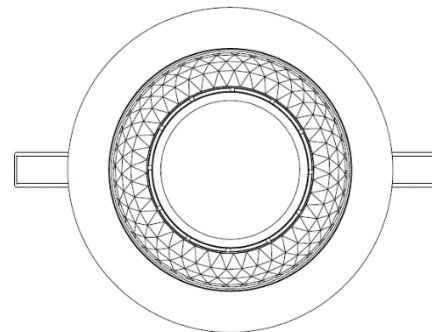
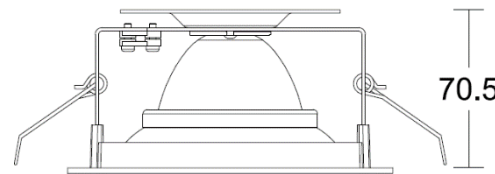
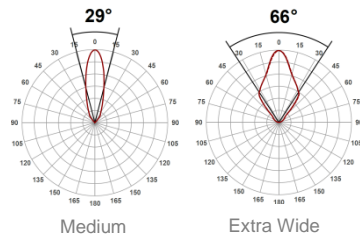
Applications:

- Retail
- Architectural
- Commercial
- Exhibition
- Residential

Accessories:

- Drop Tube
- IP version
- Emergency versions

Beam Angles



145

Cut Out Diameter 130mm
Weight: 0.3 Kg

Part number nomenclature and examples:

| Part Number | Description |
|------------------------|---|
| VX145B3D7V1100M930W | VLUX:145:B3D7V:1100LM:MED-BEAM:3K90CRI:WHITE |
| VX145B3D7V2600M840W-D3 | VLUX:145:B3D7V:2600LM:MED-BEAM:4K80CRI:WHITE:DALI |

VX = VLUX Range

145 = Diameter of bezel

B3D7V = Bridgelux LED Technology

0000 = supplied without driver

1100 = 1100 Lumen output (average across colours)¹

1500 = 1500 Lumen output (average across colours)²

2000 = 2000 Lumen output to be advised.

M = Medium beam 20 - 30 degree

XW = Extra Wide beam >50 degree†

927 = 90CRI 2700K

830 = 80CRI 3000K

930 = 90CRI 3000K

840 = 80CRI 4000K

W = RAL9010 Pure White**

G = RAL9006 Grey Silver**

B = RAL9005 Jet Black**

C = Chrome polished*

E = Emergency maintained

EN = Emergency Non-maintained

ST = Self-Test Option not required with DALI

-Dimming type suffix

D1 = Dimmable Phase

D2 = Dimmable 1-10V

D3 = Dimmable DALI

Refer to table below for exact lumen output (all lumens are exit lumens)

** Other finishes available to special order

† The surface of the Extra Wide beam reflector is white in colour

Lumen output:

| CRI CCT | Luminaire output Lumens and (Efficiency in Luminaire Lumen Per Watts) at typical drive current (mA) and forward voltage (V) DC | | | | | |
|------------|--|-------------|---------------------------|-------------|---------------|-------------|
| | 250mA 30V | | 350mA 30V | | 500mA 31V | |
| | LED watts | Total watts | LED watts | Total watts | LED watts | Total watts |
| | 7.5 | 8.6 | 10.7 | 12 | | |
| 927 | 959 (112) | | 1284 (107) | | To be advised | |
| 830 | 1199 (139) | | 1605 (134) | | To be advised | |
| 930 | 995 (116) | | 1332 (111) | | To be advised | |
| 840 | 1241 (144) | | 1661 (139) | | To be advised | |
| | ¹ 1100 Average | | ² 1500 Average | | To be advised | |

Accessories

| Part Number | Description |
|-------------|-----------------------|
| VXDTW | VLUX Décor Tube White |
| VXDTB | VLUX Décor Tube Blue |
| VXDTR | VLUX Décor Tube Red |