

**VARIO 250 Ambient** delivers a wide smooth beam of light from its ZAGA compliant high efficiency light source. Its ultra-thin flange blends seamlessly into the ceiling line. The diamond faceted satin reflector shimmers with high quality light. Available in a wide range of lumen outputs, and 3000 & 4000K light colours and >80 CRI as standard. Emergency and dimmable options are also available along with IP54. The VARIO 250 Ambient has endless applications.

### Features:

- Ultra-thin Flange
- Attractive satin Diamond faceted reflector
- Tool less installation
- Fits a wide range of ceiling cut-outs
- IP54 versions available
- Larger flanges and mounting diameters are available in a made to order.

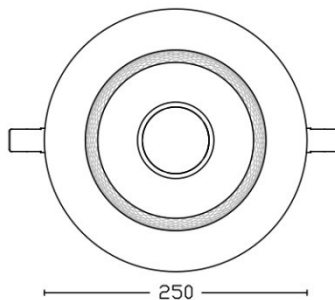
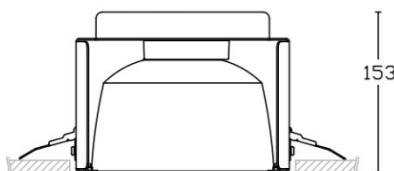
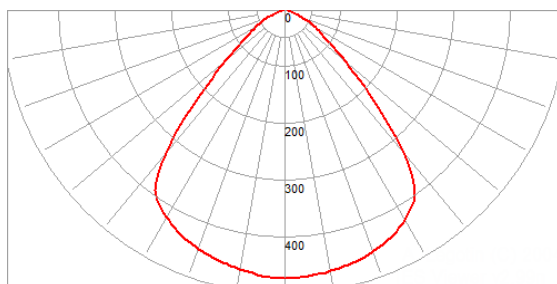
### Applications:

- Hospitals
- Schools
- Architectural
- Commercial
- Exhibition
- Retail

### Options:

- 3000, 4000K White light as standard.
- Emergency versions available.
- DALI & CASAMBI dimmable
- IP54 option available
- White, Grey/Silver & Black as standard. other finishes available to special order.

### Beam Angle: Standard product



Cut out diameter range: 210 / 230 mm  
Weight: 1.0Kg  
Weight excludes driver

### Part number examples

Part Number	Description
VAR250RFX20DLM2000XW830W	VARIO:250:RFX:RETAIL:DLM:2000LM:EXTRA-WID-BEAM:3K80CRI:WHITE
VAR250RFX20DLM2000XW830WE	VARIO:250:RFX:RETAIL:DLM:2000LM:EXTRA-WID-BEAM:3K80CRI:WHITE:EMERGENCY-NON-MAINTAINED
VAR250RFX20DLM3000XW840W	VARIO:250:RFX:RETAIL:DLM:3000LM:EXTRA-WID-BEAM:4K80CRI:WHITE

VA = VARIO Family

R = Round

250 = 250 mm Diameter of bezel

RFX = Recessed Fixed

2 = Ambient down light

0 = Flush

DLM = DLM Technology

2000 = 2000 exit lumens\*

3000 = 3000 exit lumens\*

4000 = 4000 exit lumens\*

XW = Extra Wide beam >50 degrees

830 = 80CRI 3000K

840 = 80CRI 4000K

W = RAL9010 Pure White

G = RAL9006 Grey Silver

B = RAL9005 Jet Black

RALXXX = Special Colour\*\*

E = Emergency [non-maintained]

D3 = Dimmable DALI

\* Refer to lumen output table for lumen output (all lumens are exit lumens).

\*\* Other finishes available to special order.

### Lumen Output:

CRI CCT	Luminaire output Lumens and Efficiency (in Luminaire Lumens Per Watts) at typical drive current (mA) and forward voltage (V) DC. Chart Based on DLE G4 ADV Module					
	600mA 23.5V		600mA 35.0V		900mA 36.0V	
	LED watts	Total watts	LED watts	Total watts	LED watts	Total watts
	13.7	15.8	20.4	23.5	31.5	36.0
<b>830</b>	1830 (133)		2772 (136)		3956 (126)	
<b>840</b>	1926 (140)		2917 (143)		4172 (133)	
	<b>2000 Nominal</b>		<b>3000 Nominal</b>		<b>4000 Nominal</b>	