

MLUX-TRAK AREA is a sophisticated emergency escape lighting system designed to be installed easily into 3 circuit lighting tracks. This AREA version is for mounting heights up to 5 Meters. The inbuilt self-test function minimises maintenance time, and assures a reliable and compliant emergency lighting installation.

This simple installation enables on site precise positioning, and commissioning to ensure light is where its needed. Its wide area high light output minimises the quantity required, therefore saving costs. Minimal in size, and available in colours to match track colours. This life saving system compliments all interiors.

Manufactured to exacting standards and available in White, Grey or Black as standard. Other colours and options to suit custom requirements are available, subject to order quantities.

### Features:

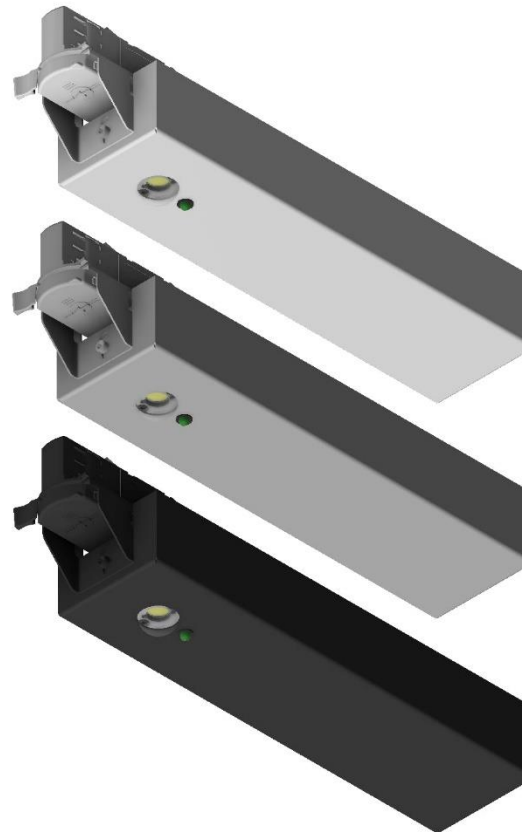
- Mounting height up to 5mtrs
- Slim Architectural Design
- Designed to fit into 3 circuit track
- Locking bracket to secure installation
- Non-maintained Emergency Lighting
- 3-hour duration
- High output LED
- SELFTEST as standard  
Weekly 5 second selftest + Annual full 3hr duration from test
- Reverse battery protection
- Over voltage protection
- Deep discharge protection
- Low power consumption
- Long LiFePO4 Batteries
- Mercury free, RoHS compliant

### Lumen Output:

Luminaire output Lumens and Efficiency (in Luminaire Lumens Per Watts) at typical drive current (mA) and forward voltage (V) DC. Chart Based on Vero10 80CRI 4000K Wide Beam 23.4V MAX					
Distance	1mtr	2mtrs	3mtrs	4mtrs	5mtrs
LUX	130lx	33lx	14lx	8lx	5lx
Beam Width	2.2mtr	4.4mtr	6.6mtr	8.8mtr	11mtr

### Technical Details:

Running Mode:	1.3Watts (Once battery in charged)
Charge Mode:	3.0Watts (Whilst battery is charging)
Battery discharge Mode:	85mA (When in Emergency mode)



### Part number nomenclature and examples:

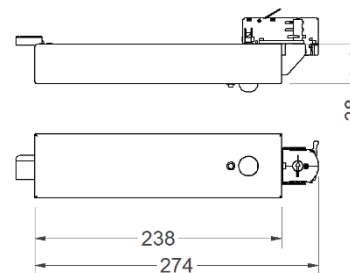
Part Number	Description
MLUXAT3B	MLUX:AREA:EMERGENCY:3CKT:SELF-TEST:BLACK
MLUXAT3G	MLUX:AREA:EMERGENCY:3CKT:SELF-TEST:GREY
MLUXT3W	MLUX:AREA:EMERGENCY:3CKT:SELF-TEST:WHITE

### Nomenclature:

MLUX = MLUX Family  
 A = Area Lighting Distribution  
 T3 = 3 Circuit Track Mountable  
 W = RAL9010 Pure White\*  
 G = RAL9006 Grey Silver\*  
 B = RAL9005 Jet Black\*

\* Other finishes available to special order.

### Dimensions & Weight:



Total weight: 0.7Kg MAX

### Beam Angle: Standard product

