

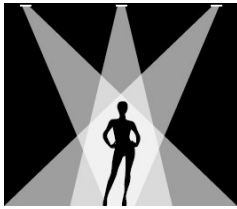
FREDA Gimbal Circular is a recessed adjustable luminaire delivering flexible, efficient and precise LED lighting. The FREDA can be used to create stunning environments. With adjustment tilt angles of up to 50° the FREDA is a flexible lighting tool allowing for the illumination of high vertical surfaces and objects. A choice of interchangeable optics can be changed or cleaned within seconds.

Applications:

- Retail
- Restaurant
- Architectural
- Commercial
- Exhibition

Accessories:

- Interchangeable reflectors



Accent lighting allows objects to be selectively highlighted using narrow beams of light

Technical features:

- 95% Reflector efficiency
- Light Output Ratio 86%
- Power Factor min 0.90
- Up to 142 lumens per watt
- Die-cast Aluminium. PPC coated
- L80B10
- Up to 97 CRI available
- 3 SDCM as standard 2 SDCM available

Lumen Maintenance Projection:

TM-21: 10k = 97.67%
L90: 55k = 90.98%

Both TM21 and L90 reports are available on request.



Part number examples

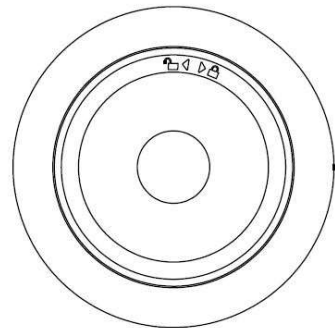
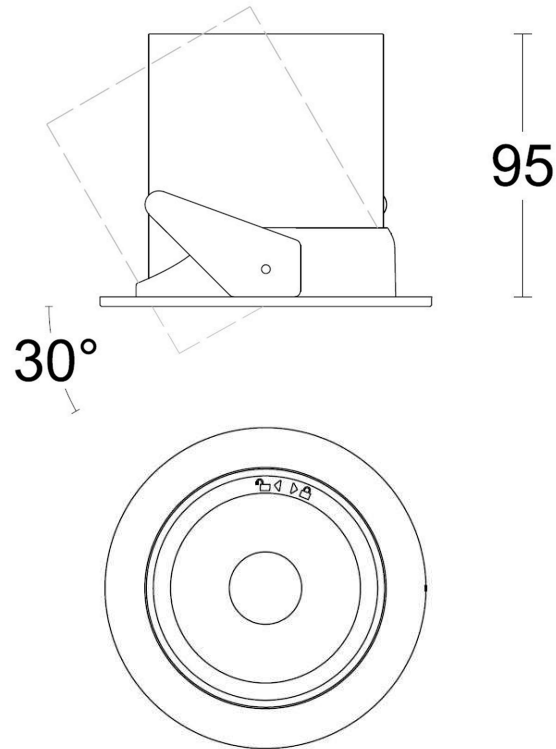
Part Number	Description
FRGCB3V2000N830W	FREDA:GC:B3V:2000LMS:NAR-BEAM:3K80CRI:WHITE
FRGCB3V0000W930B	FREDA:GC:B3V:NO-DRIVER:WIDE-BEAM:3K90CRI:BLACK

Part number nomenclature:

FR = FREDA Family
GC = Gimbal Circular
B3V = LED Technology
0000 = supplied without driver
1500 = Lumen output**
2000 = Lumen output**
2500 = Lumen output**
3000 = Lumen output**
3500 = Lumen output**
N = Narrow beam 10-20 degree
M = Medium beam 20-30 degree
W = Wide beam 30-50 degree
XW = Extra Wide beam 50+ degree
8 = >80CRI
9 = >90CRI
27 = 2700K
30 = 3000K
35 = 3500K
40 = 4000K
W = RAL9010 Pure White*
G = RAL9006 Grey Silver*
B = RAL9005 Jet Black*
D1 = Dimmable Phase
D2 = Dimmable 1-10V
D3 = Dimmable DALI

*Other finishes available to special order.
**Based on 830
Refer to table on page 2 for exact lumen output.
All lumens are exit lumens, other options available to special orders.

Technical Information



120

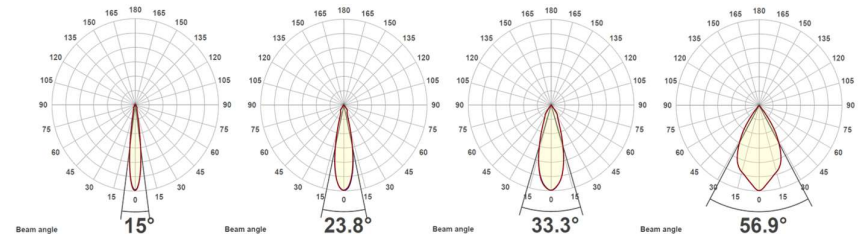
CUT OUT SIZE
102mm \varnothing
Weight: 1.0kg MAX
All dimensions in mm

Refer to table below for exact lumen output (all lumens are exit lumens).
Other finishes available to special order.

Lumen output:

CRI CCT	Luminaire output Lumens and (Efficiency in Luminaire Lumen Per Watts) at typical drive current (mA) and forward voltage (V) DC									
	350mA 31V		500mA 31.7V		600mA XX.XV		700mA 32.5V		850mA 33.1V	
	LED watts	Total watts	LED watts	Total watts	LED watts	Total watts	LED watts	Total watts	LED watts	Total watts
	10.8	12.9	15.8	18.3	19.3	22.2	22.8	26.2	28.1	32.3
827	1598 (124)		2146 (117)		2548 (115)		2900 (111)		3238 (100)	
927	1318 (102)		1770 (97)		2102 (95)		2392 (91)		2671 (83)	
830	1698 (132)		2280 (125)		2707 (122)		3081 (118)		3440 (107)	
835	1738 (135)		2334 (128)		2771 (125)		3154 (120)		3522 (109)	
930	1378 (107)		1851 (101)		2197 (99)		2501 (95)		2793 (86)	
840	1748 (136)		2347 (128)		2787 (126)		3172 (121)		3542 (110)	
Lumen Class	1500		2000		2500		3000		3500	

Polar curves of reflector options



Narrow

Medium

Wide

Extra Wide