

# DOWNLIGHT LED B0V

# ECLIPSE 55 RECESSED FIXED

The ECLIPSE 55 Downlight recessed adjustable brings all the features of the Eclipse spotlight into a recessed mounted compact modern downlight. Available in various exit lumens, various colour temperatures, colour rendering options and beam angles. Manufactured to exacting standards and available in White, Grey or Black as standard. Other colours and options to suit custom requirements are available, subject to order quantities.



Black Décor Cowl  
as standard

### Applications:

- Retail
- Exhibition
- Architectural
- Hospitality
- Residential
- Entertainment

### Options:

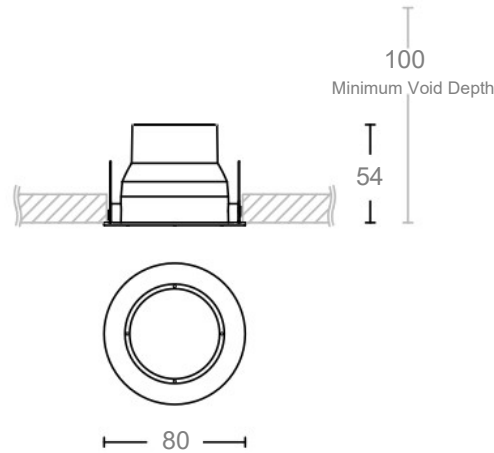
- Trimless

**Accessories:** See accessories on page 2

### Lumen Output:

CRI CCT	Luminaire output Lumens and Efficiency (in Luminaire Lumens Per Watts) at typical drive current (mA) and forward voltage (V) DC. Chart Based on VERO 10 Narrow Beam / Black Cowl			
	150mA 24.4V		250mA 24.9V	
	LED watts	Total watts	LED watts	Total watts
	3.7	5.3	6.2	8.1
<b>827</b>	408 (77)		680 (84)	
<b>927</b>	337 (64)		561 (69)	
<b>830</b>	434 (82)		722 (89)	
<b>930</b>	352 (66)		586 (72)	
<b>835</b>	444 (84)		739 (91)	
<b>840</b>	447 (84)		743 (90)	
	<b>400 Average</b>		<b>700 Average</b>	

### Mounting options:



Cut Out Diameter: 70mm  
Total weight: 0.3Kg MAX  
Weight excludes driver

### Part number nomenclature and examples:

Part Number	Description
EC55RFB0V400W830W-D1	ECLIPSE:55MM:REC-FIX:B0V:400LM: WIDE-BEAM:3K80CRI:WHITE:DIM-PHASE
EC55RFB0V700N930B	ECLIPSE:55MM:REC-FIX:B0V:700LM:NAR-BEAM:3K90CRI:BLACK

### Nomenclature:

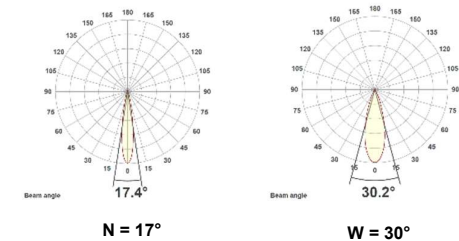
EC = Eclipse Family  
55 = 55 mm diameter housing accessories  
RF = Downlight Fixed Downlight  
B0V = Bridgelux VERO 10 LED  
400 = 400 Exit Lumens\*(averaged across colours)  
700 = 700 Exit Lumens\*(averaged across colours)  
N = Narrow beam 10 - 20 degree  
W = Wide beam 30 - 50 degrees  
827 = 80CRI 2700K\*\*\*  
927 = 90CRI 2700K\*\*\*  
830 = 80CRI 3000K\*\*\*  
930 = 90CRI 3000K\*\*\*  
835 = 80CRI 3500K\*\*\*  
840 = 80CRI 4000K\*\*\*  
W = RAL9010 Pure White\*\*  
G = RAL9006 Grey Silver\*\*  
B = RAL9005 Jet Black\*\*  
D1 = Dimmable Phase  
D2 = Dimmable 1-10V  
D3 = Dimmable DALI  
D4 = Dimmable Wireless Casambi

\* Refer to lumen output table for lumen output (all lumens are exit lumens).

\*\* Other finishes available to special order.

\*\*\* Other colour options are available on request: please contact our sales team to discuss your requirements..

### Beam Angle: Standard product



The Accessory range enables you to adapt the standard product, and optimise the perfect effect for your application. All accessories can be pre-assembled to each individual product, or ordered as a separate item so to customise an existing installation. Please specify clearly when ordering.

**Accessories:**

- Honeycomb
- Elongation lens
- Spreader lens
- Frosted lens
- Colour filter options

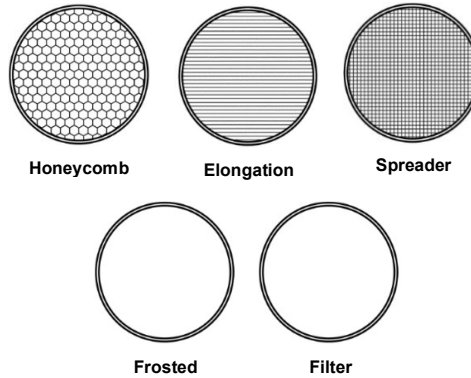
**Honeycomb:** For reduced glare.

**Elongation Lens:** For spreading the beam in one direction.

**Spreader lens:** For creating a wider light beam.

**Frosted lens:** For creating a softer beam edge.

**Filter Lens:** For enhancing the display.



**Part number examples: Accessories purchased separately**

Part Number	Description
AC55HC	ACCESSORY:55MM:HONEYCOMB
AC55EL	ACCESSORY:55MM:ELONGATION LENS

**Optical Accessory options:**

AC = Accessory

55 = For 55mm Lens

HC = Honeycomb

EL = Elongation Lens

SL = Spreader Lens

FL = Frosted Lens

All above items are supplied pre-assembled within a Black plastic carrier as standard.

Other colour options are available on request: please contact our sale team to discuss your requirements.