

Inspired by modernist art forms and minimal in size, the CAN spotlight delivers precise high quality light efficiently. The CAN is a perfect choice to create stunning displays. Available as track or surface mounted, 1500 to >3600 exit lumens, 3000K, 4000K, 80, 90 or 97\* CRI in White, Grey Silver or Black as standard.



### Applications:

- Retail
- Restaurant
- Exhibition
- Architectural
- Residential
- Entertainment

### Accessories:

- Honeycomb

### Part number nomenclature and examples:

Part Number	Description
CANT3B8D7V1700M830B	CAN:TRK3CKT:95MM:B8D7V:1700LM :MED-BEAM:3K80CRI:BLACK
CANT3B8D7V2300M930W	CAN:TRK3CKT:95MM:B8D7V:2300LM :MED-BEAM:3K90CRI:WHITE
CANT3B8D7V3100W930G	CAN:TRK3CKT:95MM:B8D7V:3100LM :WID-BEAM:3K90CRI:GREY

CAN = CAN SPOTLIGHT Series

SM = Surface mount

T3 = Track mount - triple circuit (Global)

T1 = Track mount - single circuit (Global)

B8D7V = Bridgelux LED Technology

1700 = 1700 min exit lumens

2300 = 2300 min exit lumens

2800 = 2800 min exit lumens

3100 = 3100 min exit lumens

M = Medium beam 20 - 30 degrees

W = Wide beam 30 - 50 degrees

830 = >80CRI 3000K

930 = >90CRI 3000K

H30 = >97CRI 3000K

840 = >80CRI 4000K

W = RAL9010 Pure White

G = RAL9006 Grey Silver

B = RAL9005 Jet Black

BB = Black Cowl Black Bezel

CB = Chrome Cowl Black Bezel

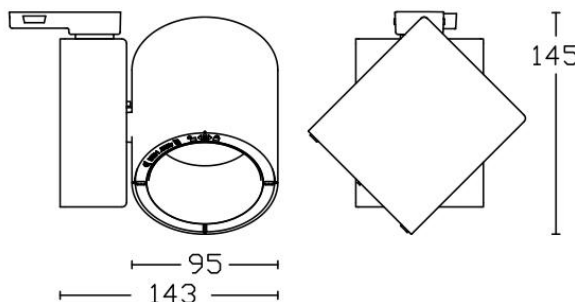
D1 = Dimmable Phase

D2 = Dimmable1-10V\*

D3 = Dimmable DALI\*

### Lumen output:

CRI CCT	Luminaire output Lumens and (Efficiency in Luminaire Lumen Per Watts) at typical drive current (mA) and forward voltage (V) DC							
	500mA 27.5V		700mA 29V		804mA 29V		1027mA 29V	
	LED watts	Total watts	LED watts	Total watts	LED watts	Total watts	LED watts	Total watts
	13.8	15.8	19.0	21.9	23.32	25.2	29.0	32.3
927	1760 (111)		2181 (100)		2459 (98)		3036 (94)	
830	2200 (139)		2735 (125)		3084 (122)		3807 (118)	
835	1826 (116)		2799 (128)		3156 (125)		3896 (121)	
930	1826 (116)		2263 (103)		2551 (101)		3149 (97)	
840	2277 (144)		2827 (129)		3187 (126)		3934 (122)	
	1700 Average		2300 Average		2800 Average		3100 Average	



Phase dimming available up to 2300 lumens only

\* Gear housing is larger for 1-10V or DALI

